



TOWER FAN 28"

USER MANUAL

1PAFT28

FOR MODEL:
1PAFT28



Before using your bladeless fan, please read this manual carefully and keep it for future reference, along with your receipt.

IMPORTANT SAFETY INSTRUCTIONS

Caution

Read Rules for Safe Operation and Instructions Carefully.

Warning

1. This appliance has a polarized plug (one blade is wider than the other). To reduce the risk of electric shock, this plug is intended to fit in a polarized outlet only one way. If plug does not fit fully in the outlet, reverse the plug. If it still does not fit, contact a qualified electrician. Do not attempt to defeat this safety feature.
2. To reduce the risk of fire or electric shock, DO NOT use this fan with any solid state speed control devices.

Rules for Safe Operation

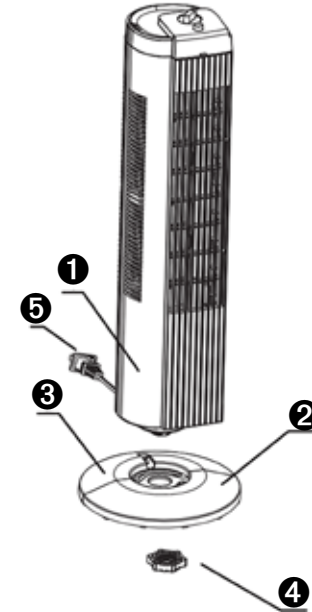
1. Never insert fingers, pencils, or any other object through the grille when fan is running.
2. Disconnect fan when moving from one location to another.
3. Be sure fan is on a stable surface when operating to avoid overturning.
4. Do not use fan in window. Rain may create electrical hazard.
5. Ensure that the fan is switched off from the supply mains before removing the grille.

The rules about cord and plug as below:

- 1). This product employs overload protection (fuse). A blown fuse indicates an overload or short-circuit situation. If the fuse blows, unplug the product from the outlet. Replace the fuse as per the user servicing instructions (follow product marking for proper fuse rating) and check the products. If the replacement fuse blows, a short-circuit may be present and the product should be discarded or returned to an authorized service facility for examination and/or repair.
- 2). Do not operate any fan with a damaged cord or plug. Discard fan or return to an authorized service facility for examination and/or repair.
- 3). Do not run cord under carpeting. Do not cover cord with throw rugs, runners, or similar coverings. Do not route cord under furniture or appliances. Arrange cord away from traffic area and where it will not be tripped over.

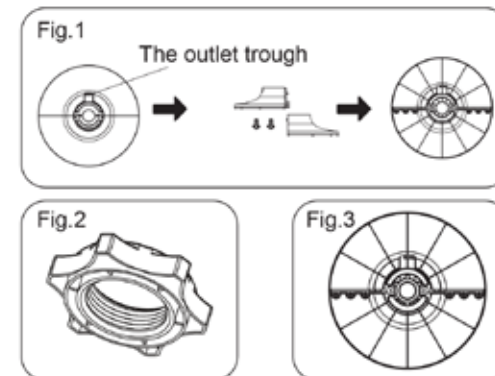
Part Figure

- ① Body
- ② Front base
- ③ Rear base
- ④ Plastic nut
- ⑤ Power cord

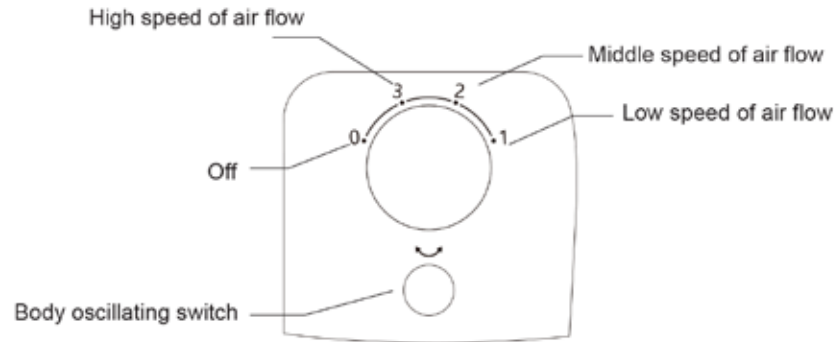


ASSEMBLY INSTRUCTIONS

1. Take out the fan body and the spare parts from the box. Put the front base onto rear base and join them together. (See Fig. 1)
2. Pass the power cord through the flute, then insert the fan body into the base. (See Fig. 3)
3. Fix the fan body on the base with the plastic nut. (See Fig. 2)

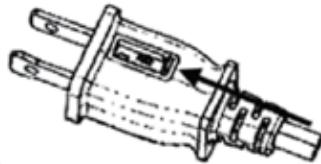


OPERATION INSTRUCTIONS



USER SERVICE INSTRUCTIONS

- Grasp plug and remove from the receptacle or other outlet device. Do not unplug by pulling on cord.
- Open fuse cover. Slide open fuse access cover on top of attachment plug towards blades.
- Remove fuse carefully. Insert the tip of your tool into fuse slot (close with the terminal), then prize the fuse gradually and slowly, but not overexert. If you feel tight, you can try it at several times and prize the fuse little by little. When one side of the fuse has been prized, then you can get the fuse out entirely.
- Risk of fire. Replace fuse only with 2.5 Amp, 125 Volt fuse.
- Close fuse cover. Slide closed the fuse access cover on top of attachment plug.
- Risk of fire. Do not replace attachment plug. Contains a safety device (fuse) that should not be removed. Discard product if the attachment plug is damaged.



Cleaning

- Be sure to unplug from the electrical supply source before cleaning.
- Plastic parts should be cleaned with mild soap and a damp cloth or sponge. Thoroughly to remove soap film with clean water.
- Be sure not to make water or other liquid enter inside of motor.

SERVICE SUPPORT

In the event of a warranty claim or if service is required for this product, please contact us at the following number:

Toll Free: 1-866-646-4332

Email us at: customerservice@supportuscenter.com

For questions or comments please write to:

Midea America Corporation
Customer Care Center
11411 NW 107th Street,
Suite 12 Miami, FL 33178

For your records, staple your sales receipt to this manual and record the following:

Date of Purchase: _____

Place of Purchase: _____

(STAPLE SALES RECEIPT HERE)

Note: Proof of Purchase is Required for All Warranty Claims

Printed in China

ONE (1) YEAR LIMITED WARRANTY

- Please read all instructions before attempting to use this product.

Midea America Corporation warrants as limited herein to the original purchaser of retail that each new Fan, shall be free of defects in material and workmanship for a period of one (1) year from the date of original purchase. This one (1) year warranty is limited to the Motor and Electric Element.

In the event of malfunctions or failure of your Fan, simply deliver or send the Fan, postage prepaid along with PROOF OF PURCHASE, within the warranty period of one (1) year, to Midea America Corporation. Midea America Corporation reserves the right to inspect the claimed defective part or parts to determine if the defect or malfunction complaint is covered by this warranty. Midea America Corporation shall, within sixty (60)days after receipt of the product, at its option, repair and/or replace the defective part or parts free of charge. This warranty shall only cover defect arising from normal usage. Midea America Corporation assumes no responsibility whatsoever if the Fan should fail during the warranty period by reason of:

- Misuse, negligence, physical damage or accidents.
- Lack of maintenance (see instructions for proper maintenance).
- Repair by any unauthorized party during the warranty period.
- Damage caused by connection to an improper input voltage (see specification label on your Fan).

Midea America Corporation makes no further warranties or representations, express or implied except those contained herein. No representative or dealer is authorized to assume any other liability regarding the Fan. The duration of the implied warranty granted under State law, including warranties of merchantability and fitness for particular purpose are limited in duration should the duration of the express warranty grant it hereunder. Midea America Corporation shall in no event be liable for direct, indirect, special or consequential damages.

Some states do not allow limitations on how long an implied warranty lasts, and/or the above limitations or exclusion may not apply to you. This warranty gives you specific legal rights and you may have other rights which vary from state to state.

Distributed by:



Perfect Aire, LLC
5401 Dansher Rd.
Countryside, IL 60525

844-4PA-AIRE | 844-472-2473
www.perfectaire.us

PA/User_1PAFT28_06182020

Specification and performance data is subject to change without notice.

Printed in China