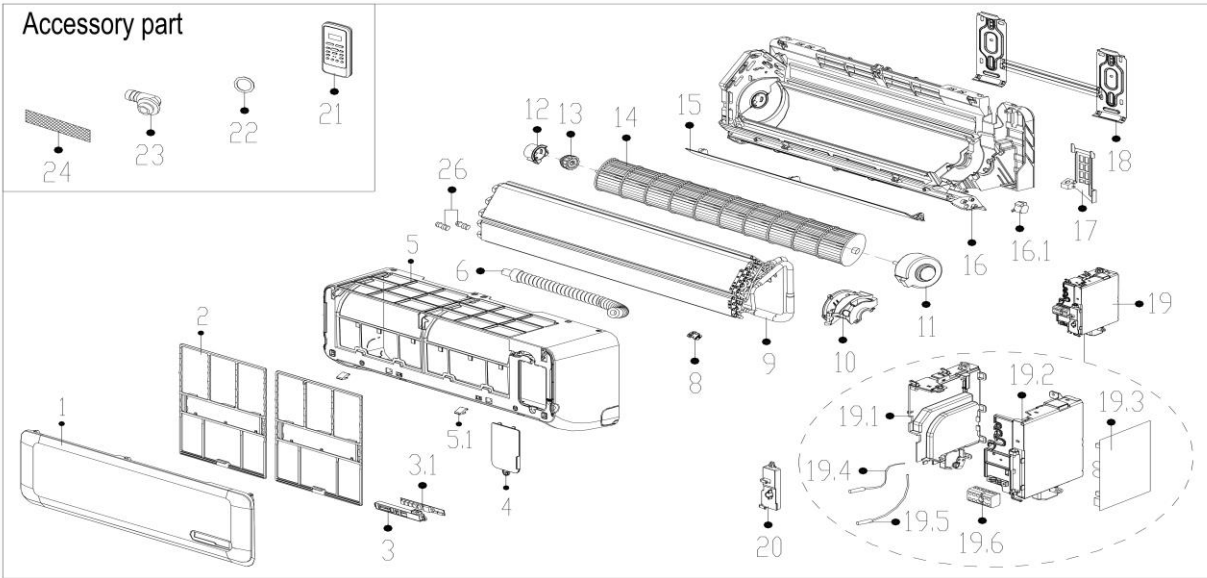


# Perfect Aire Exploded View

Perfect Aire Model: 1PAMSHQCW12-15

Model Name: 12,000 BTU First Generation Quick Connect Indoor Unit



EX_ID	Spare Parts Code	Part Name	Qty.
1	12122000A09452	N/A	1
2	12100204000625	Air filter	2
3	17222000A01194	Display box subassembly	1
3.1	17122000A02000	Display board subassembly	1
4	12122000006694	Cover of electrical equipment	1
5	12122000001807	Panel frame assembly	1
6	12100501000021	Drain Hose	1
8	12100303000008	Fixed clamp of temperature sensor	1
9	15822000A00550	Evaporator assembly	1
10	12122000005431	Fan motor cover	1
11	11002012005527	Single phase asynchronous motor	1
12	12122000000350	Bearing holder	1
13	12622000000006	Bearing base	1
14	12100102000008	Cross flow fan	1
15	12122000005100	Horizontal louver assembly	1
16	12122000003953	Chassis Assembly	1

16.1	11002010000143	stepper motor	1
17	12122000000445	pipe clamp board	1
18	12222000000013	Installation plate	1
19	172220000005238	Electronic control box assembly	1
19.1	121220000004586	Electronic control box	1
19.2	121220000004565	Electronic control box	1
19.3	17122000000175	Main control board assembly	1
19.4	11201007000221	Room Temperature Sensor	1
19.5	11201007000001	Pipe Temperature Sensor	1
19.6	17400401000006	Wire joint	1
20	121220000004994	Cover of electronic control box	1
21	17317000A04457	Remote controller	1
22	12600701000039	Seal ring	1
23	121005090000061	Drain hose	1
24	121002060000056	Air freshening filter	1
26	15500305000009	Quick connector	1
26	15500305000018	Quick connector	1
45	121170000000091	Bracket of remote Controller	1