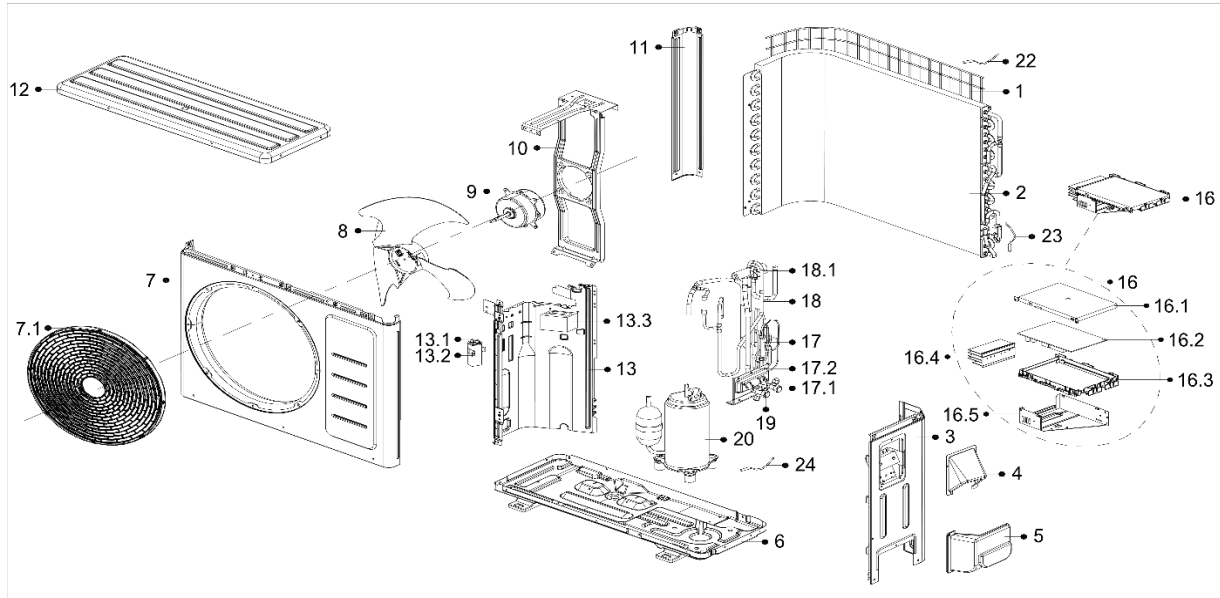


Perfect Aire Exploded View

Perfect Aire Model : 1PAMSHQCO12-15

Model Name : 12,000 BTU First Generation Quick Connect Outdoor Unit



EX_ID	Spare Parts Code	Part Name	Qty.
1	12222000001981	Rear Net	1
2	15822000A01428	Condenser Assembly	1
3	12222000001435	Right clapboard	1
4	12222000002532	Big handle	1
5	12122000007140	Water collector	1
6	12222000A00044	Chassis Assembly	1
7	12222000001687	Panel assembly	1
7.1	12122000006990	Protection wire of air out frame	1
8	12100105000015	Axial flow fan	1
9	11002012001819	Asynchronous motor	1
10	12222000001159	Supporter assembly of fan motor	1
11	12222000001353	Rear support board	1
12	12222000002424	Top cover	1
13	12222000002367	Partition board assembly	1
13.1	17400103000052	Capacitor of compressor	1

13.2	12200203000007	Capacitor clip	1
13.3	17400306000019	Reactance	1
16	17222000A00433	Electronic control box assembly	1
16.1	12122000014665	Cover of electronic control box	1
16.2	17122000A00304	Outdoor main control board subassembly	1
16.4	11203803000276	Radiator	1
16.5	12222000007104	Installation box of electric parts	1
17	15422000001496	Liquid valve Assembly	1
17.1	15500208000027	Liquid valve	1
17.2	12222000002589	Valve plate	1
18	15422000001941	4-way valve assembly	1
18.1	15500216000031	4-way Valve	1
20	11103020000087	compressor	1
22	11201007000282	Room Temperature Sensor	1
23	11201007000069	Pipe Temperature Sensor	1
24	11201007000157	Discharge Temperature Sensor	1
43	17402001000019	Electrical Heating Strip for Chassis	1
44	17402001000018	Crankcase electric heater	1