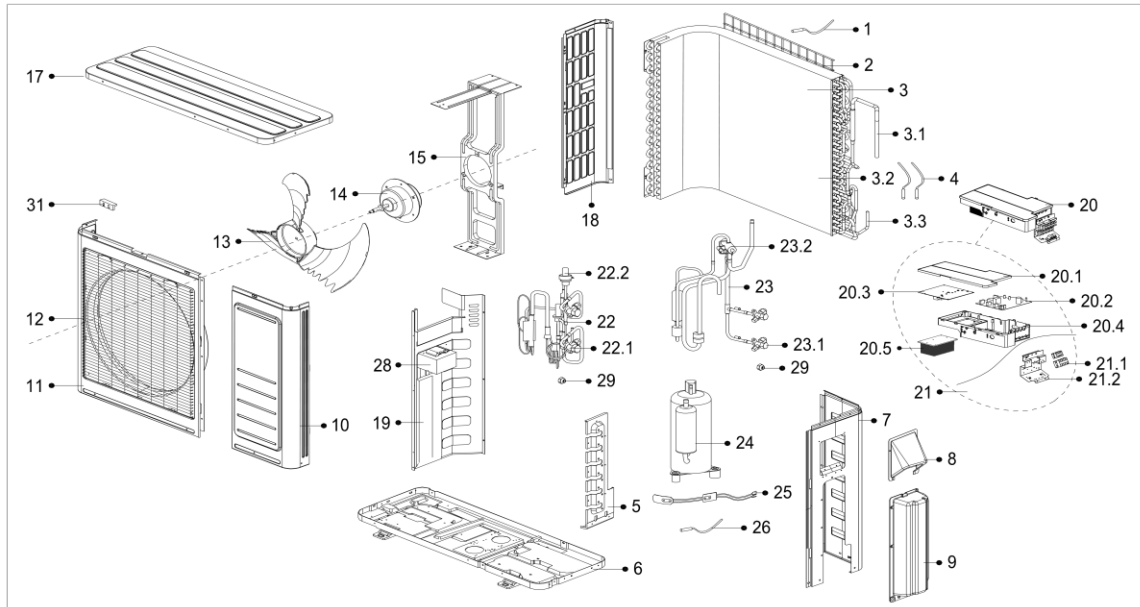


Perfect Aire Exploded View

Perfect Aire Model : 1PAMSH18-MZO2-16
 Model Name : 18,000 BTU Multi-Zone Mini-Split Outdoor Unit



EX_ID	Spare Parts Code	Part Name(EN)	Qty.
1	11201007000143	Room Temperature Sensor	1
2	12222200001554	Rear net	1
3	15822300A00008	Condenser Assembly	1
3.1	151223000000038	Input pipe assembly	1
3.2	15822000A00920	Condenser	1
3.3	151223000000015	Output pipe assembly	1
4	11201007000136	Pipe Temperature Sensor	1
4	11201007000259	Pipe Temperature Sensor	1
5	12222300000209	Valve plate	1
6	12222300000215	Chassis Assembly	1
7	122223000000071	Rear right clapboard assembly	1
8	12222300000169	Big handle	1
9	121223000000015	Water collector	1
10	12222200001662	Front right clapboard assembly	1
11	12222200001825	Panel assembly	1
12	12222000001858	Air outlet grille	1

13	12100105000001	Axial flow fan	1
14	11002015000142	Brushless DC Motor	1
15	12222300000144	Supporter assembly of fan motor	1
17	12222300000199	Top cover assembly	1
18	12222200001643	Left side plate	1
19	12222300000172	Partition board assembly	1
20	17222300000243	Electronic control box assembly	1
20.1	12122300000044	Cover of electronic control box	1
20.2	17122300000490	Main control board assembly	1
20.3	17122300000734	ipm	1
20.4	12122300000041	Support of electronic control box	1
20.5	11203803000085	Radiator	1
21	17222300000164	Terminal board assembly	1
21.1	17400401000084	Wire joint	1
21.2	12222300000226	Installation plate of electric parts	1
22	15422300000032	Liquid valve Assembly	1
22.1	15500208000031	Liquid valve	2
22.2	15500213000046	Electronic expansion valve subassembly	2
23	15422300000104	4-way valve assembly	1
23.1	15500204000008	Gas valve	2
23.2	15500216000003	4-way Valve	1
24	11103020000008	compressor	1
25	17402001000014	Crankcase electric heater	1
26	11201007000246	Discharge Temperature Sensor	1
28	17400306000058	Reactor	1
29	15500406000016	Copper nut	2
31	12122000006844	Clamp of front net	8