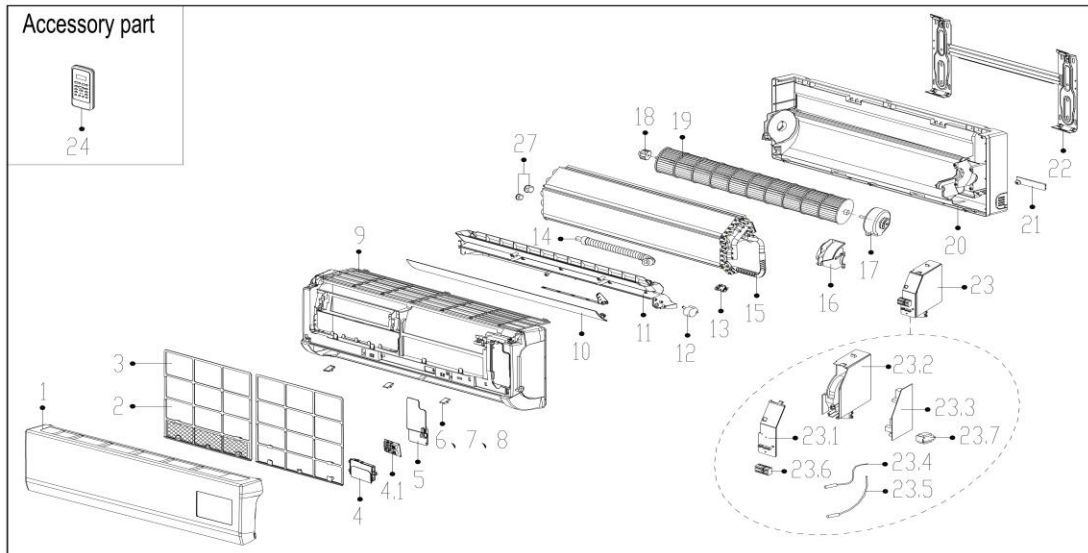


Perfect Aire Exploded View

Perfect Aire Model: 1PAMSH09-MZW-16
 Model Name : 9,000 BTU Multi-Zone Mini-Split High Wall Indoor Unit



EX_ID	Spare Parts Code	Part Name	Qty.
1	12122000A06636	Panel assembly	1
2	12100207000131	air fresh filter	1
3	12100204000668	Filter	2
4	17222000002785	display box assembly	1
4.1	17122000006935	Display board assembly	1
5	12122000006714	Cover of indoor electronic control box	1
6	12122000006303	screw cover	1
7	12122000006300	screw cover	1
8	12122000006111	screw cover	1
9	12122000002022	frame assembly	1
10	12122000005139	Horizontal louver	1
11	12122000005473	Air outlet assembly	1
12	11002010000121	Louver motor	1

13	12100303000008	Fixed clamp of temperature sensor	1
14	12100501000021	Drain Hose	1
15	15822000000420	Evaporator assembly	1
16	12122000005501	Motor cover	1
17	11002012000398	Single phase asynchronous motor	1
18	12622000000006	Bearing base	1
19	12100102000027	Cross flow fan	1
20	12122000004428	Chassis Assembly	1
21	12122000000454	Pipe clamp board	1
22	12222000000022	Installation plate	1
23	17222300A00192	Electrical Control Box Subassembly	1
23.1	12122000004991	Electronic control box Cover	1
23.2	12122000004573	Electronic control box	1
23.3	17122300A00281	Main control board subassembly	1
23.4	11201007000088	Room Temperature Sensor	1
23.5	11201007000040	Pipe Temperature Sensor	1
23.6	17400401000069	Terminal	1
23.7	11203103000043	Power Transformer	1
24	17317000A03375	Remote controller	1
28	15500406000010	Copper nut	1
28	15500406000016	Copper nut	1
45	12117000000091	Bracket of remote Controller	1