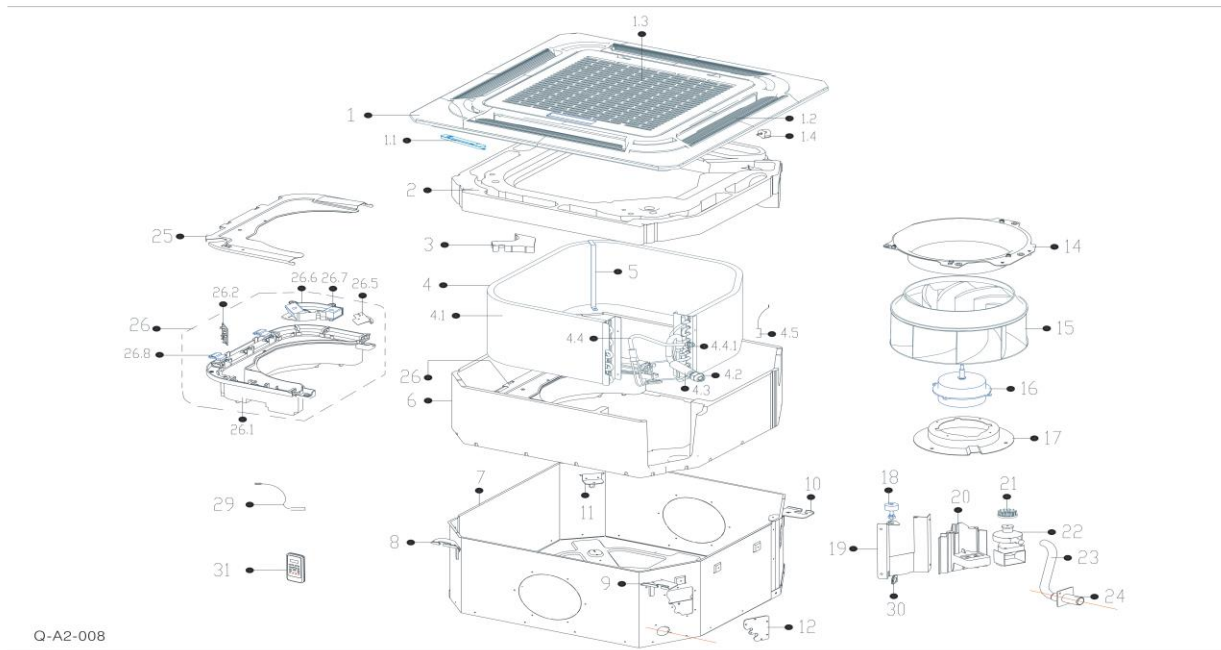


Perfect Aire Exploded View

Perfect Aire Model: 1PAMSCH18

Model Name : 18,000 BTU Multi-Zone Mini-Split Unit



Q-A2-008

EX_ID	Spare Parts Code	Part Name(EN)	Qty.
2	12822500000018	Water collector	1
3	12122500000021	Wire box	1
4	15822500A00036	Evaporator assembly	1
4.1	15822500A00105	Evaporator	1
4.2	15500406000012	Copper nut	1
4.3	151225000000197	Output pipe assembly	1
4.4	151225000000329	Input pipe assembly	1
4.4.1	155004060000016	Copper nut	1
4.5	112010070000069	Pipe Temperature Sensor	1
5	122225000000093	Evaporator Fixing hanger	1
6	128225000000002	foam	1

7	12222500000224	Chassis Assembly	1
8	12222500000191	Hook	1
9	12222500000192	Hook	1
10	12222500000190	Hook	1
11	12222500000193	Hook	1
12	12122500000330	Pipe fixing board subassembly	1
14	12122500000419	Ventilation ring	1
15	12100103000076	Centrifugal fan	1
16	11002015000208	DC motor	1
17	12222500000198	Motor Installing Foundation	1
18	17400511000016	Water Level Switch	1
19	12222500000086	Evaporator fixing board	1
20	12122500000019	Pump support	1
21	12122500000234	Pump net	1
22	17400802000021	Motor subassembly	1
23	12622500000012	Rubber tube	1
24	12100510000021	Drain pipe	1
25	12222500000208	Cover of electronic control box	1
26	17222500000135	Electronic control box assembly	1
26.1	12122500000462	Electronic control box	1
26.2	17122500000434	Main control board assembly	1
26.5	12222500000070	Wiring baseplate	1
26.6	12122500000028	Terminal	1
26.7	17400401000069	Terminal	1
26.8	12122500000542	clip	2
29	11201007000143	Room Temperature Sensor	1
30	12600701000001	Rubber coil	1
31	17317000000099	Remote controller	1
43	12026200A00001	Accessory kit	1