

SINGLE-ZONE MINI-SPLIT SUBMITTAL DATA

36,000 BTU/H WALL-MOUNTED HEAT-PUMP SYSTEM

Job Name:	
Submitted To:	
Submitted By:	
System Designation:	
Location:	

Date:	
Approval: <input type="checkbox"/>	
Construction: <input type="checkbox"/>	
Schedule No:	
Engineer:	
Notes:	

Indoor Model Number: 2PAMSH36B-SZW-16
Outdoor Model Number: 2PAMSH36B-SZO-16

Power Supply	Ph-V-Hz	208-230V~60Hz ,1Ph	
Cooling*	Rated Capacity	Btu/h	36000
	Input	W	4235
	Rated current	A	18.5
	EER	Btu/w	8.5
	SEER	Btu/w	16

Heating*	Rated Capacity	Btu/h	36000
	Input	W	3835
	Rated current	A	16.7
	COP	W/W	2.8
	HSPF4	BTU/w	10
	HSPF5	BTU/w	8.4

* Rating Conditions: (Cooling) - Indoor: 80°F (26.67°C) DB, 67°F (19.44°C) WB; Outdoor: 95°F (35.00°C) DB, 75°F (23.89°C) WB.
 * Rating Conditions: (Heating) - Indoor: 70°F (21.11°C) DB, 60°F (15.56°C) WB; Outdoor: 47°F (8.33°C) DB, 43°F (6.11°C) WB.

MINIMUM CIRCUIT AMPACITY	A	25	
MAX.FUSE	A	35	
Moisture Removal	pts/h	8.5	
Compressor	Model	ATF250D22UMT	
	Type	ROTARY	
	Brand	GMCC	
	Capacity	Btu/h	25760
	Input	W	2070
	Rated current (RLA)	A	17
Refrigerant Oil / Oil Charge	ml	ESTER OIL VG74/670	
Indoor Fan Motor	Model	ZKFP-58-8-1	
	Brand	Welling	
	Input	W	58(Output)
	RLA	A	0.5
Speed (Hi/Mi/Lo)	r/min	1200/1050/750	
Indoor Air Flow (Hi/Mi/Lo)	m3/h	1450/1100/800	
Indoor Air Flow (Hi/Mi/Lo)	CFM	853/647/471	
Indoor Noise Level (Hi/Mi/Lo)	dB(A)	54.5/-/38.5	
Indoor Unit	Dimension(W*D*H)	mm	1259x282x362
	Dimension(W*D*H)	inch	49.57x11.10x14.25
	Packing (W*D*H)	mm	1340x450x380
	Packing (W*D*H)	inch	52.76x17.72x14.96
	Net/Gross weight	Kg	19.6/25.2
	Net/Gross weight	lbs.	43.2/55.6
Outdoor Fan Motor	Model	ZKFN-120-8-2	
	Brand	Welling	
	Input	W	120(Output)
	RLA	A	0.6
Speed	r/min	810	
Outdoor Air Flow	m3/h	5000	
Outdoor Air Flow	CFM	2943	
Outdoor Noise Level	dB(A)	63	
Outdoor Unit	Dimension(W*D*H)	mm	946x420x810
	Dimension(W*D*H)	inch	37.24x16.54x31.89
	Packing (W*D*H)	mm	1090x500x865
	Packing (W*D*H)	inch	42.91x19.69x34.06
	Net/Gross weight	Kg	65/69.5
	Net/Gross weight	lbs.	143.30/153.22

Refrigerant Type	g	R410A/3399g	
Refrigerant Type	oz	R410A/119.9	
Refrigerant Precharge	ft	25	
Additional Charge For Each Lineal Foot Over 25 ft	oz	0.322	
Design Pressure	PSIG	550/340 PSIG	
Refrigerant Piping	Liquid side / Gas side	mm (in.)	Φ9.52/Φ15.9(3/8"/5/8")
	Max. refrigerant pipe length	m	65
	Max. refrigerant pipe length	ft	213
	Max. difference in height level	m	30
Max. difference in height level	ft	98	
Connection Wiring		16AWG*4 Stranded, unshielded	
Thermostat Type		Remote Control	
Operation Temperature	Indoor (cooling/heating)	°C	17~32/0~30
	Indoor (cooling/heating)	°F	62~90/32~86
	Outdoor (cooling/heating)	°C	NA
	Outdoor (cooling/heating)	°F	NA
	Outdoor (cooling/heating) - Low Ambient	°C	-15~50/-15~30
	Outdoor (cooling/heating) - Low Ambient	°F	5~122/5~86
Application Area (Cooling Standard)	m ²	30.6-44.9	
Application Area (Cooling Standard)	sq.ft	330-484	

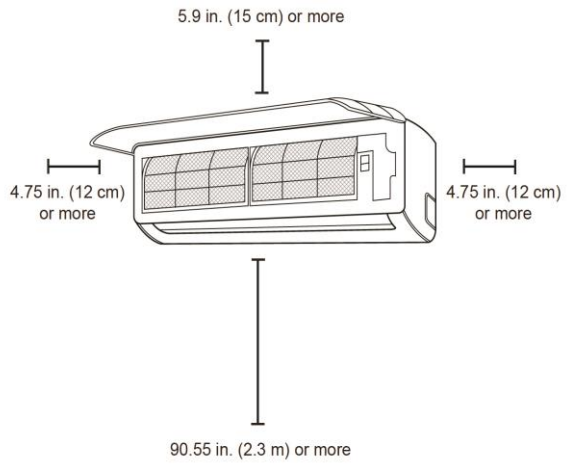
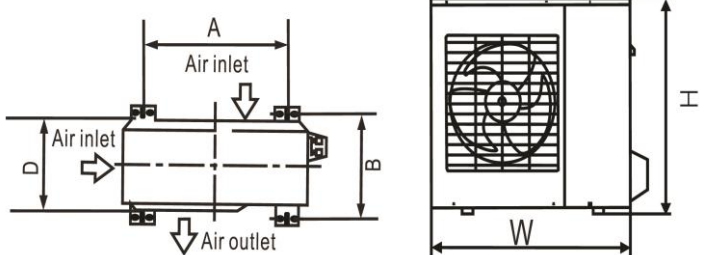
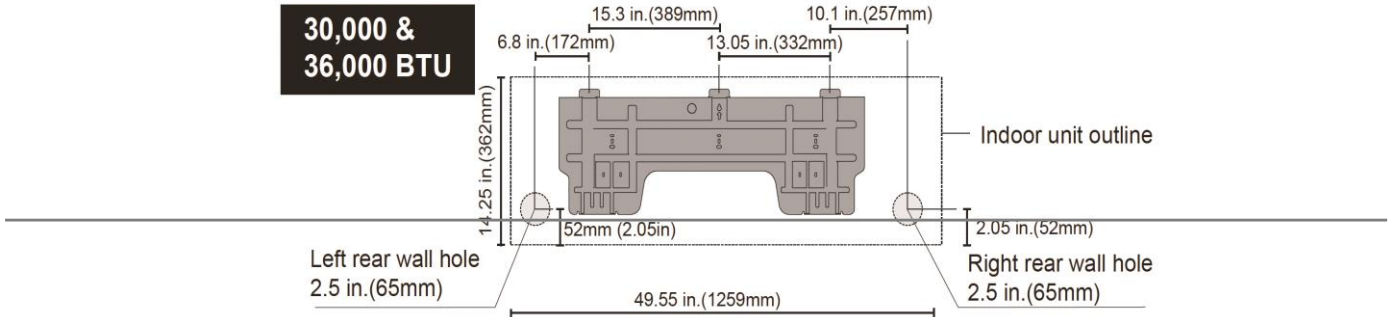


SUBMITTAL DATA: 2PAMSH36B-16 SYSTEM

Indoor Model Number: 2PAMSH36B-SZW-16

Outdoor Model Number: 2PAMSH36B-SZO-16

30,000 & 36,000 BTU



Outdoor Unit Dimensions (W x H x D)	Mounting Dimensions	
	A	B
inches	in.	in.
27 x 17 x 10.25	18.1	10.85
27.5 x 21.25 x 9.45	18	9.85
30.7 x 21.25 x 9.85	21.6	10.85
29.9 x 23.2 x 11.2	20.85	11.4
33.25 x 27.5 x 12.6	22	13.2
31.9 x 22 x 12.2	21.6	12.8
27.9 x 21.65 x 10.63	17.7	10.24
30.3 x 21.85 x 11.81	19.2	11.73
31.5 x 21.8 x 13.1	20.24	13.39
33.25 x 27.5 x 13.38	21.26	13.8
35.4 x 33.85 x 12.4	23.2	13.1
37.2 x 31.9 x 15.55	25.2	15.95
37.21 x 31.9 x 16.53	26.5	15.87

