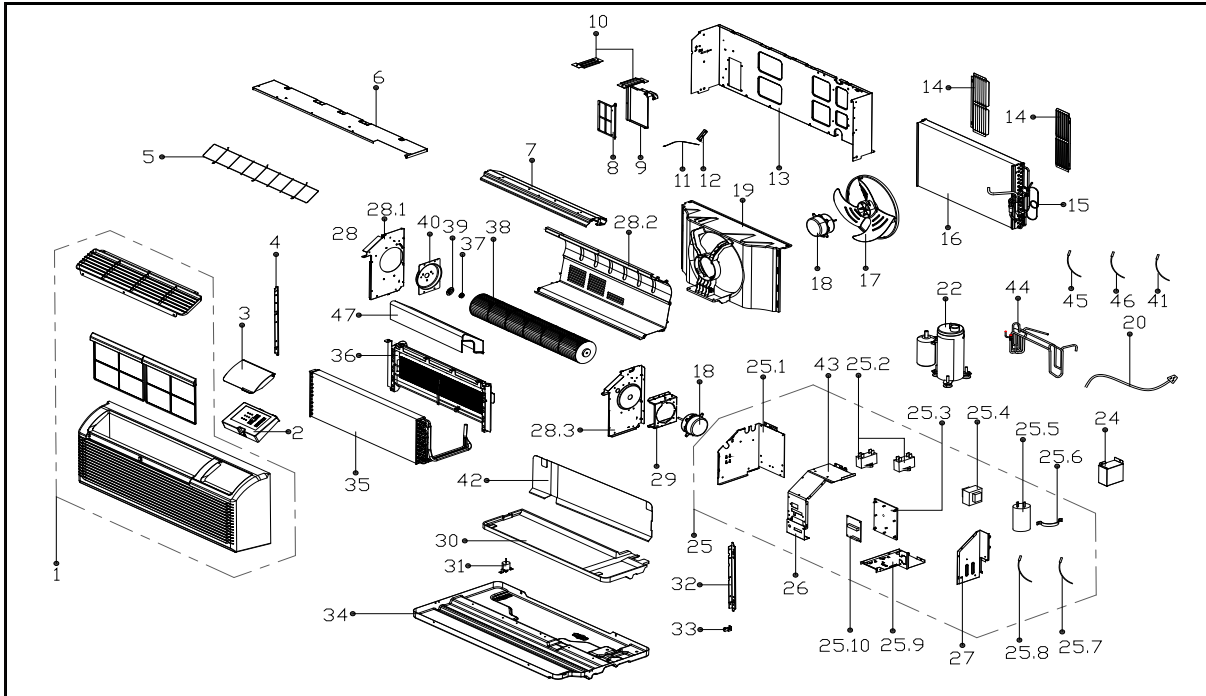


Perfect Aire PTAC Exploded View

Perfect Aire Model: 1PTH15A-5.0
Product Name: 15,000 BTU Cooling/ 5,000w Heat Pump and Electric Heater
Power Supply: 208-230V~ 60Hz 1Phase



No.	Part Name	Quantity	BOM Code	Remark
1	Panel frame assembly	1	12120300000261	
2	Display box assembly	1	17220300000096	US1-KCR35P/DN1Z- B.D.04.XK1.1
3	Cover of control panel	1	12120300A08536	
4	Fixing board(left)	1	122203000000534	
5	Air filter	1	122203000000533	
6	Front cover assembly	1	122203000000522	
7	Volute shell assembly	1	122203000000518	
8	Fresh air door filter	1	12120300001288	
9	Fresh air door	1	122203000000262	
10	Linker for front separating board	2	122203000000566	
11	Wire, fresh air door	1	122203000000844	
12	Connecting rod of fresh air door	1	122203000000312	
13	Front separating board	1	122203000000128	
14	Horizontal louver	2	122203000000517	
15	Capillary assembly	1	15120300001475	

16	Condenser assembly	1	15820300A00163	
17	Axial flow fan	1	12100105000064	ZL-335*102*8-3FN
18	Asynchronous motor	1	11002012000629	YKT-58-4-1
18	Asynchronous motor	1	11002012000822	YKT-21-6-8
19	Rear separating	1	12120300000552	
20	Power cord	1	17401202000149	
22	Compressor	1	11103010000079	ASM135N1UEZ
24	Wire box	1	12220300000277	
25	Electronic control box assembly	1	17220300A01858	
25.1	Cover of electronic control box	1	12220300000278	
25.2	Fan motor capacitor	1	17400101000009	3uF/450V(2000h)
25.2	Fan motor capacitor	1	17400101000078	1UF/450V-P2
25.4	Transformer	1	11203103000087	TT220-EI48-24/80-F1
25.5	Capacitor of compressor	1	17400103000055	35UF/450V-50-P2(2000h)
25.6	Capacitor clip	1	12200203000011	
25.7	Ambient temperature sensor assembly	1	11201007000060	CGQ-WD/SW4100-L1000-SMP2-P960
25.8	Pipe temperature sensor assembly	1	11201007000124	CGQ-WD/GW4100-L400-SMP3B-P300
25.9	Electronic control box	1	12220300000274	
25.1	Main control board assembly	1	17120300A00360	US1-KCR45P/DN1Z-B.JD.WS.NK.NK1.1
27	Cover of electronic control box	1	12220300000303	
28	Supporter of air passage	1	12220300000513	
29	Supporter assembly of fan motor	1	12220300000449	
30	Water collector	1	12820300000028	
31	Drain valve	1	17400510000003	
32	Fixing board (right)	1	12220300000537	
33	Hook of Panel	2	12220300000560	
34	Chassis assembly	1	12220300000404	
35	Evaporator coil assembly	1	15820300A00078	
36	Electric heater	1	17402006A00003	
37	Bearing bracket	1	12622000000012	
38	Cross flow fan	1	12100102000055	GL-120*706-NX
39	Cover of Bearing bracket	1	12220300000557	
40	Wind baffle board	1	12220300000514	
41	Discharge temperature sensor assembly	2	11201007000157	CGQ-WD/PQ3950-L500-SMP2B-G470
42	Protection board for Water collector	1	12920300000002	

44	4-ways valve assembly	1	15420300000055	
	Ambient temperature sensor			CGQ-WD/SW4100-L1000-
45	assembly	1	11201007000067	XHP2-P800
	Pipe temperature sensor			CGQ-WD/GW4100-L680-
46	assembly	1	11201007000196	XAP2-P650
47	Protection board	1	12220300000540	