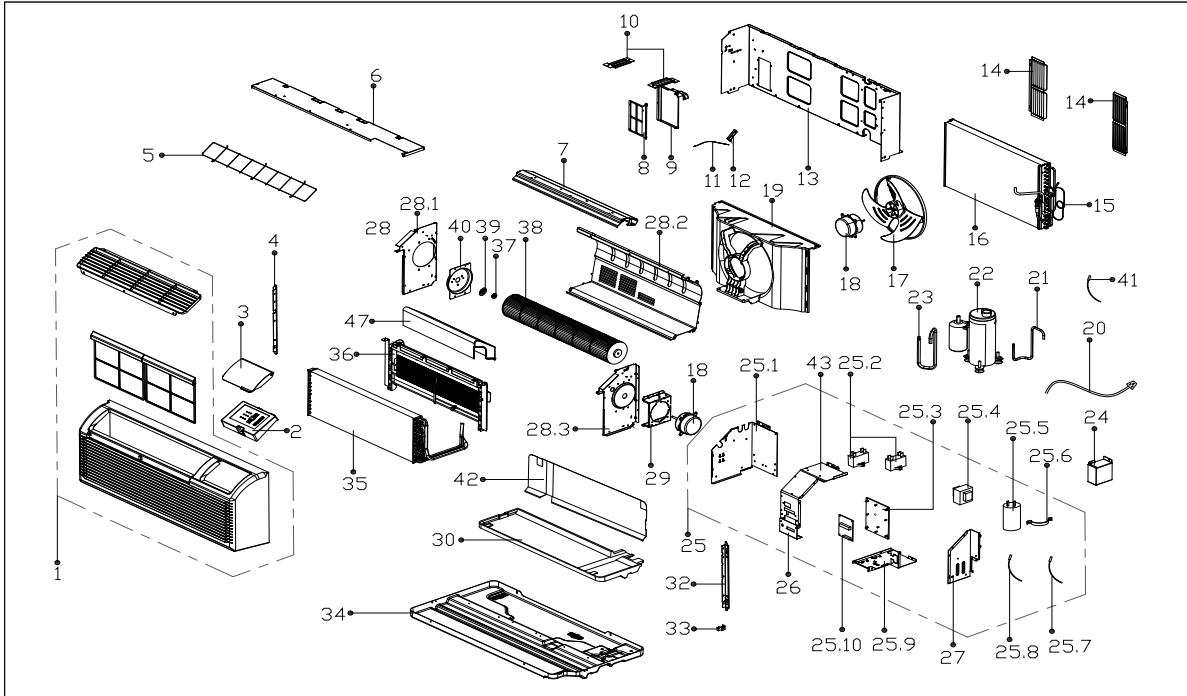


## Perfect Aire PTAC Exploded View

**Perfect Aire Model:** 1PTC15A-5.0  
**Model Name:** PTAC 15,000 BTU Cooling/ 5,000w Electric Heater  
**Power Supply:** 208-230V~ 60Hz 1Phase



No.	Part Name	Quantity	BOM Code	Remark
1	frame Subassembly Structure Subassembly of Display	1.0	12120300000261	
2	Box	1.0	17220300000096	US1-KCR35P/DN1Z- B.D.04.XK1.1
3	Control board cover	1.0	2011217A1148	
4	Fixing plate subassembly	1.0	12220300000534	
5	Protecting net	1.0	12220300000533	
6	Front clapboard	1.0	12220300000522	
7	Volute Tongue	1.0	12220300000518	
8	Filter of new vent door	1.0	12120300001288	
9	New vent door	1.0	12220300000262	
10	Link,front barrier	2.0	12220300000566	
11	Wire of new vent door	1.0	12220300000844	
12	Pull rod of new vent door	1.0	12220300000312	
13	front boarding	1.0	12220300000128	
14	Wind Guide	2.0	12220300000517	
15	Capillary Assembly	1.0	15120300001531	
16	Condenser Assembly	1.0	2015218A0048	

17	Axial fan	1.0	12100105000064	ZL-335*102*8-3FN
18	Single-phase Asynchronous Motor	1.0	11002012000822	YKT-21-6-8
18	Single-phase Asynchronous Motor	1.0	11002012000629	YKT-58-4-1
19	Rear barrier	1.0	12120300000552	
20	Power Supply Cable Subassembly	1.0	202402290016	
21	Compressor exhaust pipe	1.0	15120300000910	
22	Fixed speed rotary compressor	1.0	11103010001331	PA136G1C-3FZU1
23	Parts of compressor return pipe	1.0	15120300001379	
24	Line Board of Electrical Control Box	1.0	12220300000277	
25	E-Parts Box Subassembly	1.0	2033218A0345	
25.1	Rear Plate of Electrical Control Box	1.0	12220300000278	
25.2	Capacitor	1.0	17400101000009	3uF/450V(2000h)
25.2	Capacitor	1.0	17400101000078	1UF/450V-P2
25.4	Power Transformer	1.0	11203103000087	TT220-EI48-10.5/95-F1
25.5	run and start , compressor, 40uF, 440-450V, D 2inch, H 4-3/4inch.	1.0	17400103000048	40UF/440-450V
25.6	Capacitor clamp	1.0	12200203000011	
25.7	Room Temperature Sensor	1.0	11201007000060	CGQ-WD/SW4100-L1000-SMP2-P960
25.8	Temperature Sensor	1.0	11201007000124	CGQ-WD/GW4100-L400-SMP3B-P300
25.9	Base Plate of E-Parts Box	1.0	12220300000274	
25.10	Main Control Board Subassembly(Sticker)	1.0	17120300A00273	US1-KC35P/DN1Z-B.JD.WS.NK.NK1.1
26	Lower Cover Board of E-Parts Box	1.0	201221790253	
27	Side Plate of Electrical Control Box	1.0	12220300000303	
28	Air duct plate subassembly	1.0	12220300000513	
28.1	Support plate for Air Duct	1.0	P73001980825	
28.2	Air Duct	1.0	P0001397384	
28.3	Support plate for Air Duct	1.0	P73001980828	
29	Fan Motor Holder	1.0	12220300000449	
30	Water receiver	1.0	12820300000028	
32	Fixing plate subassembly	1.0	12220300000537	
33	panel hook	2.0	12220300000560	
34	Chassis Subassembly	1.0	12220300000430	
35	Evaporator assembly Gas valve assembly	1.0	2015218A0046	
36	Electric Heater Assembly	1.0	202403100884	
37	Bearing pedestal	1.0	12622000000012	

38	Cross-flow Window Rotor.	1.0	12100102000055	GL-120*706-NX
39	Bearing end plate	1.0	12220300000557	
40	Baffle Plate of Air Duct	1.0	12220300000514	
41	Discharge temperature sensor assembly	2.0	11201007000157	CGQ-WD/PQ3950-L500-SMP2B-G470
42	Water receiver guard board	1.0	12920300000002	
43	Electrical Control Box Cover Board	1.0	2033218A0310	
47	Guard board	1.0	12220300000540	