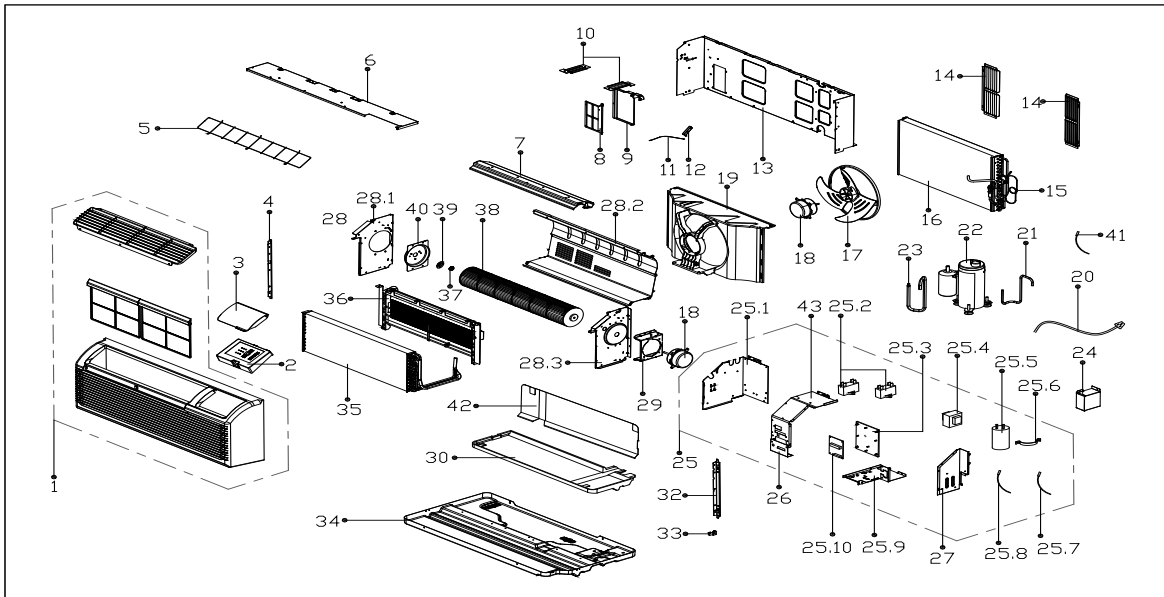


Perfect Aire PTAC Exploded View

Perfect Aire Model: 1PTC12A-5.0
Model Name: PTAC 12,000 BTU Cooling/ 5,000w Electric Heater
Power Supply: 208-230V~ 60Hz 1Phase



No.	Part Name	Quantity	BOM Code	Remark
1	Panel frame assembly	1	201121890174	
2	Display box assembly	1	203321790300	US1-KCR35P/DN1Z-B.D.04.XK1.1
3	Cover of control panel	1	2011217A1148	
4	Fixing board(left)	1	201221790255	
5	Air filter	1	201221890087	
6	Front cover assembly	1	201221790247	
7	Volute shell assembly	1	201221890086	
8	Fresh air door filter	1	201121790309	
9	Fresh air door	1	201221790259	
10	Linker for front separating board	2	201221790236	
11	Wire, fresh air door	1	201221790240	
12	Connecting rod of fresh air door	1	201221790239	
13	Front separating board	1	201221790246	
14	Horizontal louver	2	202921790001	
15	Capillary assembly	1	201621790931	
16	Condenser assembly	1	2015218A0048	
17	Axial flow fan	1	201100300049	ZL-335*102*8-3FN
18	Asynchronous motor	1	202400401222	YDK40-4B
18	Asynchronous motor	1	202400401221	YDK20-6BS

19	Rear separating	1	201121790307	
20	Power cord	1	202402290016	
21	Discharge pipe	1	201621790934	
22	Compressor	1	201400600660	PA108M1C-3FZDU
23	Suction pipe assembly	1	201621790936	
24	Wire box	1	201221790251	
25	Electronic control box assembly	1	2033217A0599	
25.1	Cover of electronic control box	1	201221790252	
25.2	Fan motor capacitor	1	202401100353	3uF/450V
25.2	Fan motor capacitor	1	202401100004	1uF/450V
25.3	Bracket of main control board I	1	201121790312	
25.4	Transformer	1	202300900724	TT2-G95-1F
25.5	Capacitor of compressor	1	202401000078	35UF/450V-50-P2(2000h)
25.6	Capacitor clip	1	201200100002	
25.7	Ambient temperature sensor assembly	1	202440220061	CGQ-SWJ-L1000-SMP2-P960
25.8	Pipe temperature sensor assembly	1	202301300469	CGQ-GWJ-L400-SMP3B-P300
25.9	Electronic control box	1	201221790249	
25.10	Main control board assembly	1	2013218A0094	US1-KC35P/DN1Z-B.JD.WS.NK.NK1.1
26	Cover of electronic control box	1	201221790253	
27	Cover of electronic control box	1	201221790250	
28	Supporter of air passage	1	201221890085	
28.2	Volute shell	1	P0001397384	
29	Supporter assembly of fan motor	1	201221790245	
30	Water collector	1	202221790021	
32	Fixing board (right)	1	201221790256	
33	Hook of Panel	2	201221790248	
34	Chassis assembly	1	201221790260	
35	Evaporator coil assembly	1	2015217A0130	
36	Electric heater	1	202403100884	
37	Bearing bracket	1	202732390001	
38	Cross flow fan	1	201100200047	GL-120*706-NX
39	Cover of Bearing bracket	1	201221790244	
40	Wind baffle board	1	201221790243	
41	Discharge temperature sensor assembly	2	202301310068	CGQ-PQI-L500-SMP2B-G470(JSTCONNECTOR)
42	Protection board for Water collector	1	202921790002	
43	Cover of electronic control box	1	2033218A0310	