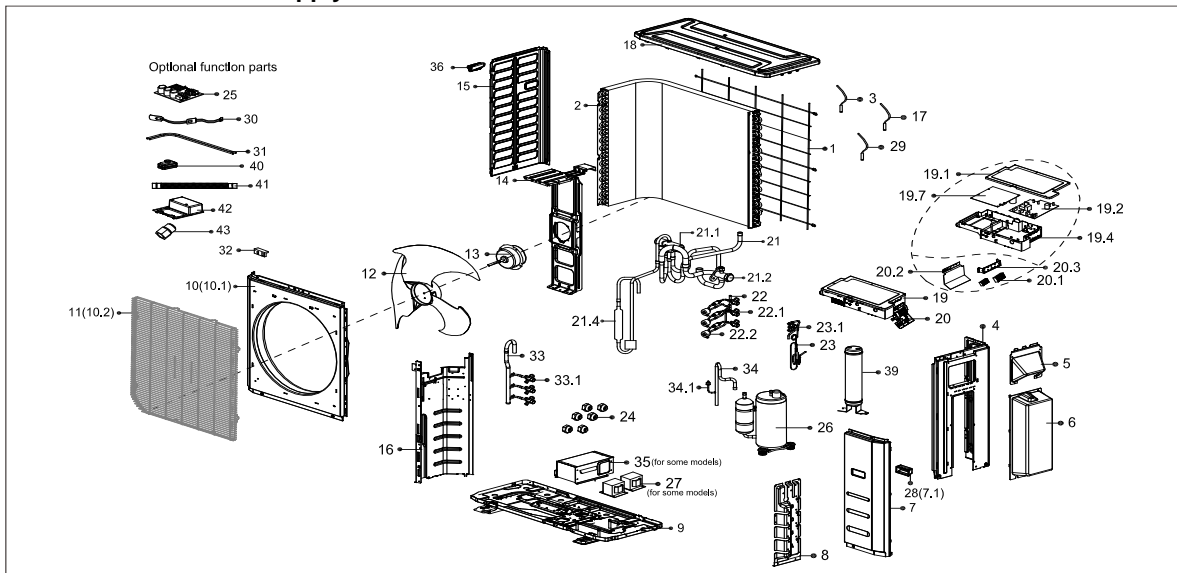


Perfect Aire Exploded View

Perfect Aire Model: 2PAMSH27-MZO3
Product Name: 27,000 BTU Multi-Zone Mini-Split Outdoor Unit
Power Supply: 208And230V_1Ph,FREQUENCY_60HZ



No.	Part Name	Quantity	BOM Code	Remark
1	Rear net	1	12222000006604	
2	Condenser assembly	1	15822000A06389	
3	Pipe temperature sensor assembly	1	11201007000006	CGQ-WD/GW4100-L1300-SMP3B-P1000
3	Pipe temperature sensor assembly	1	112010070000044	CGQ-WD/GW4100-L1300-SMP3B-P1000-03
4	Rear right clapboard assembly	1	122223000000510	
5	Big handle	1	122223000000529	
6	Water collector	1	121223000000110	
7	Front right clapboard assembly	1	122225000000633	
7.1	Handle	1	121007020000038	
8	Valve plate	1	122220000005282	
9	Chassis assembly	1	122220000005267	
10	Front panel	1	122220000004983	
11	Air outlet grille	1	122222000000907	
12	Axial flow fan	1	121001050000084	ZL-560*139*12-3KN
13	Brushless DC motor	1	11002015000247	ZKFN-120-8-2
14	Supporter assembly of fan motor	1	122220000005162	
15	Left side plate assembly of cabinet	1	122220000006665	
16	Partition board assembly	1	122222000001156	
17	Ambient temperature sensor assembly	1	112010070000039	
18	Top cover assembly	1	122225000000541	
19	Electronic control box assembly	1	172223000000730	US1-KFR80W/BP3T3N1-D30.JD.FW.WXWKB.DK1.1
19.1	Cover of electronic control box	1	121220000006905	
19.2	Outdoor main control board assembly	1	171223000001094	CAUS1-KFR80W/BP3T3N1-D01.JD.FW.WXWKB.WK2.1

19.2	Outdoor main control board assembly	1	17122300001552	IL-KFR80W/BP3T4N1-350(SIM6822).D.13.MK2.1
19.4	Electronic installing box	1	12122300000170	
20	Terminal board assembly	1	17222300000729	
20.1	Wire joint	2	17400401000135	JXZ-PD6Z-C
20.2	Terminal board	1	12222300000033	
20.3	Terminal board	1	12222300000032	
21	4-ways valve assembly	1	15422300000604	
21.1	4-ways valve	1	15500216000361	STF-02BN1
21.2	Gas valve	1	15500204000049	DYF-D-19-19N1
21.4	Muffler	1	15500506000007	XSQ-15
22	liquid valve assembly	1	15422300000404	
22.1	Liquid valve	3	15500208000028	GYF-A28N
22.2	Electronic expansion valve assembly	3	15500213000046	DPF(TS)1.65C-63(L=900)
23	liquid valve assembly	1	15422300000405	
23.1	Liquid valve	1	15500208000047	
24	Copper nut	3	15500406000010	TLM-B02
24	Copper nut	3	15500406000012	TLM-C03
24	Copper nut	3	15500406000016	TLM-A01
26	Compressor	1	11103020000179	ATF235D22UMT
27	Reactor	1	17400306000058	R25027(AL)(J)
27	Reactor	1	17400306000070	R05094A
29	Discharge temperature sensor assembly	1	11201007000246	CGQ-WD/PQ3950-L1000-XAP2B-G800
30	Electric heater of chassis	1	17402002000043	DJRG-150W-350-1
31	Crankcase electric heater	1	17402001000119	DJRD-390A-1500-25W-1
32	Clamp of front net	8	12122000006844	
33	Gas valve assembly	1	15422300000406	
33.1	Gas valve	3	15500204000021	DYF-A28N
34	Suction pipe assembly	1	15122300001047	
39	Accumulator cylinder	1	15500508000315	ZYT-12
43	Transfer connector	3	15500307000001	