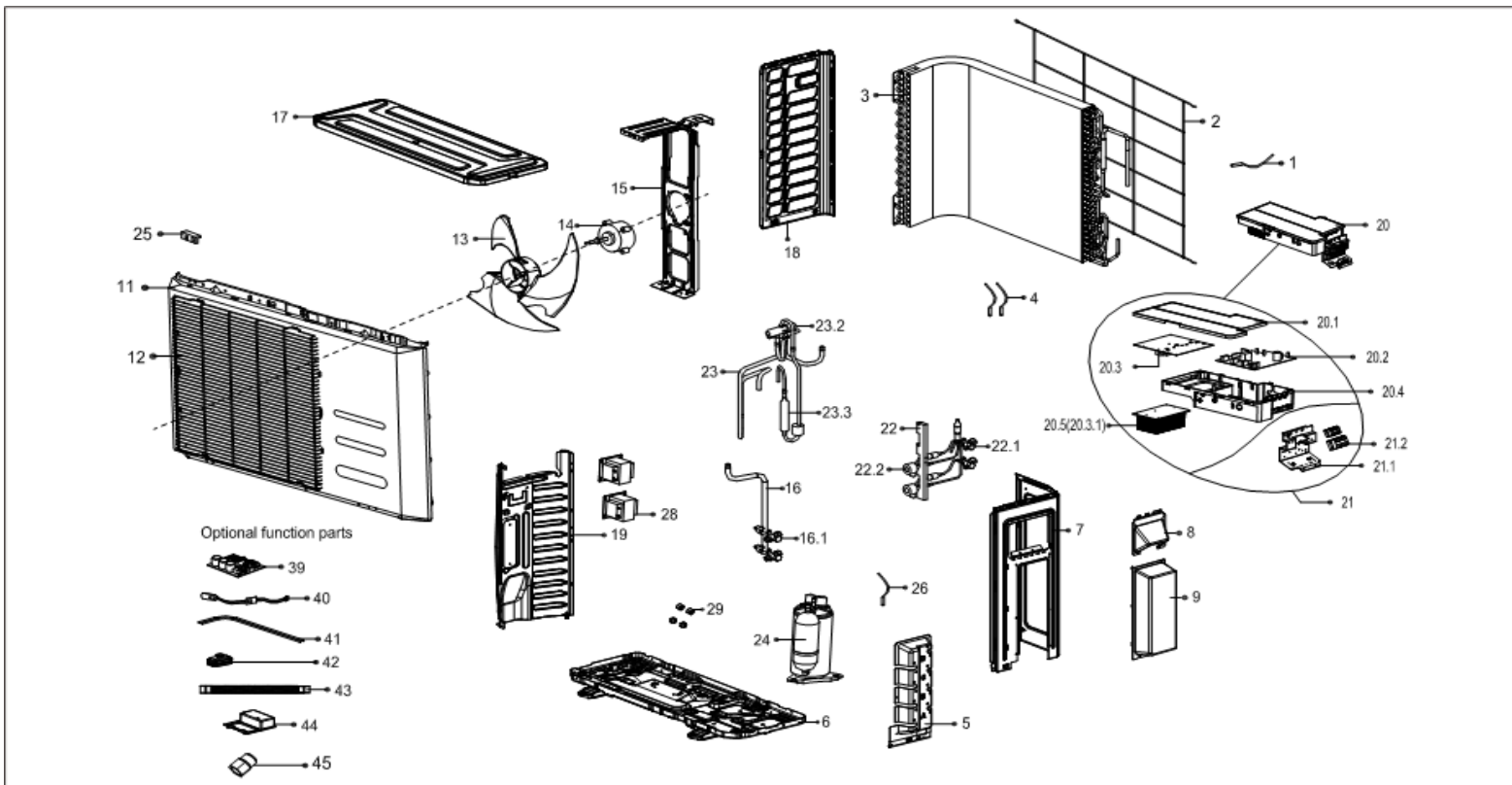


## Perfect Aire Exploded View

**Perfect Aire Model:** 2PAMSH18-MZO2  
**Product Name:** 18,000 BTU Multi-Zone Mini-Split Outdoor Unit  
**Power Supply:** 208\_230V\_1Ph,FREQUENCY\_60HZ



No.	Part Name	Quantity	BOM Code	Remark
1	Ambient temperature sensor assembly	1	11201007000143	CGQ-WD/SW4100-L550-SMP2-P450-02
2	Rear net	1	12222000004833	
3	Condenser assembly	1	15823000A01699	
4	Pipe temperature sensor assembly	1	11201007000136	CGQ-WD/GW4100-L850-SMP3B-P800
4	Pipe temperature sensor assembly	1	11201007000259	CGQ-WD/GW4100-L1400-XHP8-P1300-02
5	Valve plate	1	12222300000551	
6	Chassis assembly	1	12222000A01131	
7	Rear right clapboard assembly	1	12222300000550	
8	Big handle	1	12222300000029	
9	Water collector	1	12122300000150	
11	Front panel	1	12222000006304	
12	Air outlet grille	1	12222000007425	
13	Axial flow fan	1	12100105000181	ZL-490*151*12-3KN
14	Asynchronous motor	1	11002015000397	ZKFN-50-8-2
15	Supporter assembly of fan motor	1	12222000004884	
16	Liquid valve assembly	1	15422300000425	
16.1	Liquid valve	2	15500204000021	DYF-A28N
17	Top cover assembly	1	12222000004835	
18	Left supporter	1	12222000004831	
19	Partition board assembly	1	12222000004784	

20	Electronic control box assembly	1	17222300000769	US1-KFR52W/BP3T2N1-CA02-210[X](ATM150).JD.FW.WXWKB.DK1.1
20.1	Cover of electronic control box	1	12122300000044	
20.2	Outdoor main control board assembly	1	17122300001132	US1-KFR52W/BP3T2N1-CA02-210[X].JD.FW.WXWKB.WK2.1
20.3	Inverter control board assembly	1	17122300001114	US1-KFR52W/BP3T2N1-CA02(SIM6822).JD.TY.MMK.MK2.1
20.3.1	Radiator	1	11203803000676	
20.3.1	Radiator	1	11203803000856	
20.4	Installation plate of electric parts	1	12122300000041	
21	Terminal board assembly	1	17222300000768	
21.1	Terminal board	1	12222300000226	CE-KFR78W/BP2T3N1-211[B].D.13-3
21.2	Wire joint	1	17400401000084	JXZ-PD9Z-C
22	Liquid valve assembly	1	15422300000426	
22.1	Liquid valve	2	15500208000028	GYF-A28N
22.2	Electronic expansion valve assembly	2	15500213000046	DPF(TS)1.65C-63(L=900)
23	4-ways valve assembly	1	15422300000424	
23.2	4-ways valve	1	15500216000003	STF-02BN1
23.3	Muffler	1	15500506000007	XSQ-15
24	Compressor	1	11103020000499	ATM150D23UFZ
26	Discharge temperature sensor assembly	1	11201007000246	CGQ-WD/PQ3950-L1000-XAP2B-G800
28	Reactor	1	17400306000058	R25027(AL)(J)
28	Reactor	1	17400306000070	R05094A
29	Copper nut	2	15500406000010	TLM-B02
29	Copper nut	2	15500406000012	TLM-C03
29	Copper nut	2	15500406000016	TLM-A01
40	Crankcase electric heater	1	17402001000008	DJRD-358A-1000-20W-1
41	Electric heater of chassis	1	17402002000043	DJRG-150W-350-1
45	DR Module Box Subassembly	2	15500307000001	