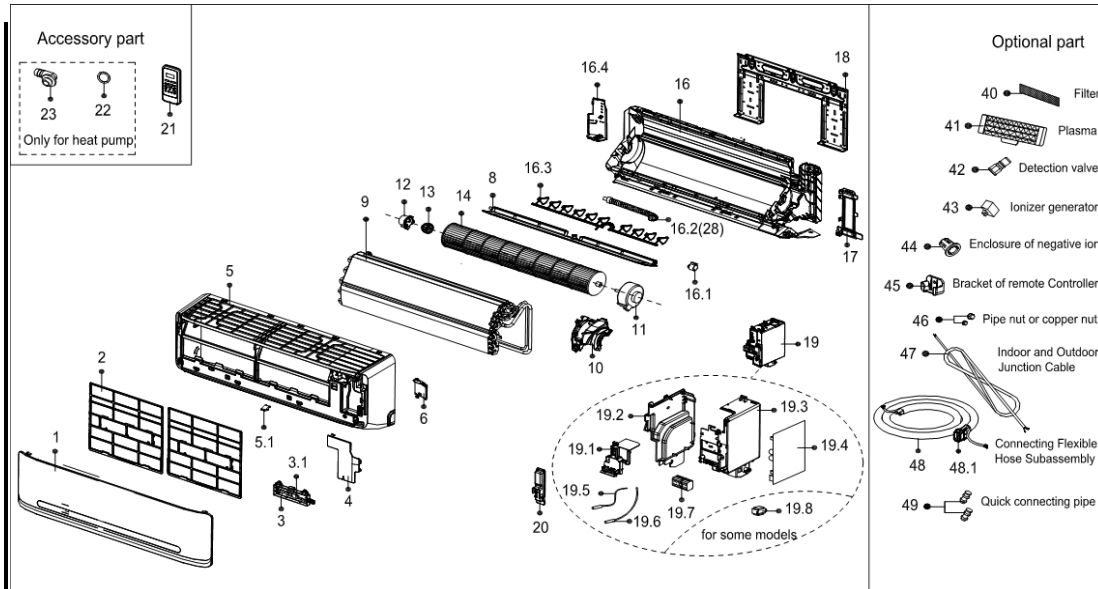


Perfect Aire Exploded View

Perfect Aire Model: 2PAMSH09-MZW
Product Name: 9,000 BTU Multi-Zone Mini-Split High Wall Indoor Unit
Power Supply: 208And230V_1Ph,FREQUENCY_60HZ



No.	Part Name	Quantity	BOM Code	Remark
1	Panel assembly	1	12122000A34498	PERF-KFR35G/N1Y-AB2.1-0101(PERFECT AIRE)
2	Air filter	2	12100204000522	
3	Display box assembly	1	17222000A07664	
3.1	Display board assembly	1	17122000A08523	EU-KFR26G/N1Y-AB2.JD.GN.WXXS.XS2.2
4	Cover of electrical equipment	1	12122000006755	
5	Panel frame assembly	1	12122000001726	
6	Right cover of chassis	1	12122000004587	
8	Horizontal louver assembly	1	12122000005815	
9	Evaporator assembly	1	15822000A05631	
10	Fan motor cover	1	12122000005540	
11	Fan motor	1	11002015000051	ZKFP-20-8-6-7
12	Bearing holder	1	12122000000350	
13	Bearing base	1	12622000000006	
14	Cross flow fan	1	12100102000044	GL-94*605-N
16	Chassis assembly	1	12122000011818	
16.1	Louver motor	1	11002010000143	SM-24-19-16-8
16.3	Vertical vane	1	12122000000038	
16.4	Left cover of chassis	1	12122000010098	
17	Pipe clamp board	1	12122000012943	
18	Installation plate	1	12222000000018	
19	Electronic control box assembly	1	17222000009970	
19.1	Top cover of electronic control box	1	12122000004577	
19.2	Left side plate of Electronic control box	1	12122000004639	

19.3	Right side plate of Electronic control box	1	12122000004632	
19.4	Indoor main control board assembly	1	17122000019549	US1-KFR26G/BP3N1Y-ABB(T0)-W.ZJD.JGN.WXNK.NK2.1
19.5	Ambient temperature sensor assembly	1	11201007000085	CGQ-WD/SW4100-L400-XHP2-P300
19.6	Pipe temperature sensor assembly	1	11201007000322	CGQ-WD/GW4100-L350-XAP2-P320
19.7	Wire joint	1	17400401000094	JXZ-AD5Z-A(RS9103C-5/YF2004/JX-PF-5/JGD-ZR5-P-1)
20	Cover of electronic control box	1	12122000005020	
21	Remote Controller	1	17317000A16661	RG52F3/BGEFU1
22	Seal ring	1	12600701000039	
23	Drain joint	1	12100509000061	
28	Drain hose	1	12100501000032	
40	Air freshening filter	1	12100204000685	
45	Bracket of remote Controller	1	12117000000089	
46	Pipe nut or copper nut	1	15500406000010	TLM-B02
46	Pipe nut or copper nut	1	15500406000016	TLM-A01