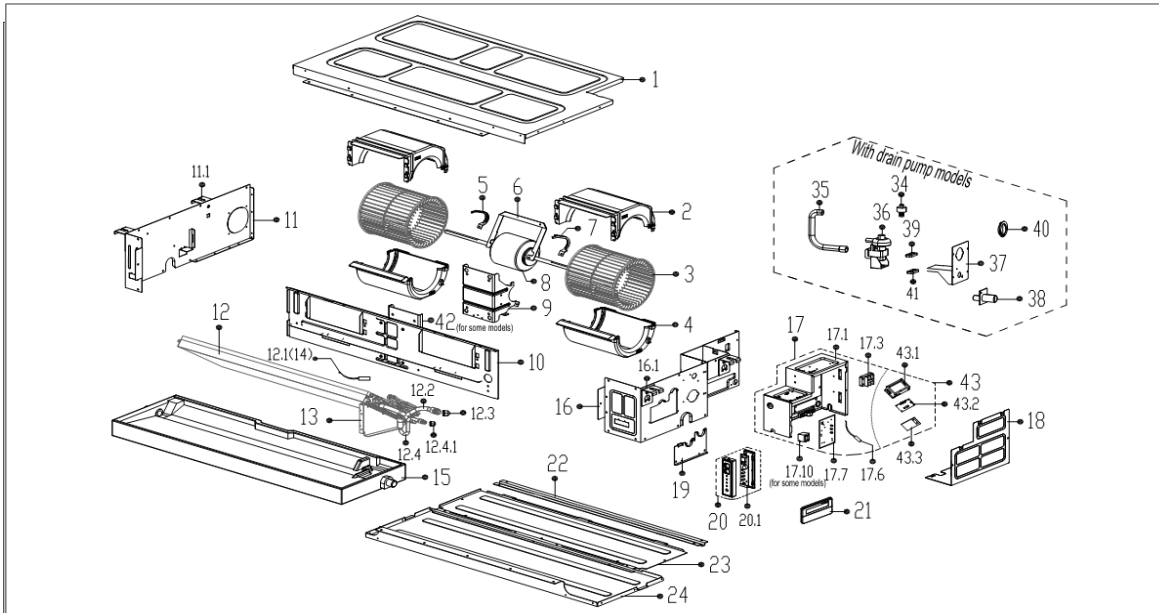


Perfect Aire Exploded View

Perfect Aire Model: 2PAMSDH24
Product Name: 24,000 BTU Multi-Zone Ducted Indoor Unit
Power Supply: 208-230V~ 60Hz 1Phase



No.	Part Name	Quantity	BOM Code	Remark
1	Chassis assembly	1	12223000000515	
2	Up volute shell	2	12123000000024	
3	Centrifugal fan	2	12100103000079	LX-188*190*12-40J
4	Below volute shell	2	12123000000022	
5	Fan motor axes clamp (left)	1	12222500000253	
6	Fan motor fixing board	1	12223000000537	
7	Fan motor axes clamp (right)	1	12222500000255	
8	Asynchronous motor	1	11002015000344	ZKFN-90-8-1
9	Supporter of fan motor	1	12223000000559	
10	Middle beam assembly	1	12223000000233	
11	Left clapboard assembly	1	12223000000122	
12	Evaporator assembly	1	15823000A00019	
12.1	Pipe temperature sensor assembly	1	11201007000136	CGQ-WD/GW4100-L850-SMP3B-P800
12.2	Output pipe assembly	1	15123000000280	
12.3	Copper nut	1	15500406000003	TLM-D04
12.4	Input pipe assembly	1	15123000000340	
13	Evaporator right support board assembly	1	12223000000291	
15	Water collector	1	12823000000001	
16	Right clapboard assembly	1	12223000000079	
17	Electronic control box assembly	1	17223000000098	
17.1	Electronic control box	1	12223000000046	
17.3	Wire joint	1	17400401000006	JXZ-AD5Z(UL)-C(YF2004C)

17.6	Ambient temperature sensor assembly	1	11201007000073	CGQ-WD/SW4100-L250-SMP2-P190
17.7	Main control board assembly	1	17123000000118	CAUS1-KFR70T2/BP3N1X-BU-W.JD.T.NK.NK1.1
18	Cover of electronic control box	1	12223000000060	
19	Pipe clamp board assembly	1	12223000000524	
20	Display box assembly	1	17223000000003	
20.1	Display board assembly	1	17123000000096	CE-KFR53T2/BP2N1Y-B.D.1.2.1
21	Wired controller	1	17317100000022	KJR-12B/DP(T)-F-1
22	Rear beam	1	12223000000263	
23	Rear cover assembly	1	12223000000217	
24	Top cover assembly	1	12223000000199	
42	Fan motor fixing base	1	12223000000547	
43	Electronic control box assembly	1	17222700000162	
43.1	Electronic control box	1	12223000000052	
43.2	Inverter control board assembly	1	17122000008498	DCFAN(W90W/115W_R200+J9D).D.13.MK2.1
43.3	Radiator	1	11203803000154	SRQ127*84*8-AIQ128.2-O
50	Remoted controller	1	17317000A16661	RG52F3/BGEFU1
51	Bracket of remote Controller	1	12117000000089	
52	Flange assembly	1	12223000000462	
53	Air filter	1	12100204000001	