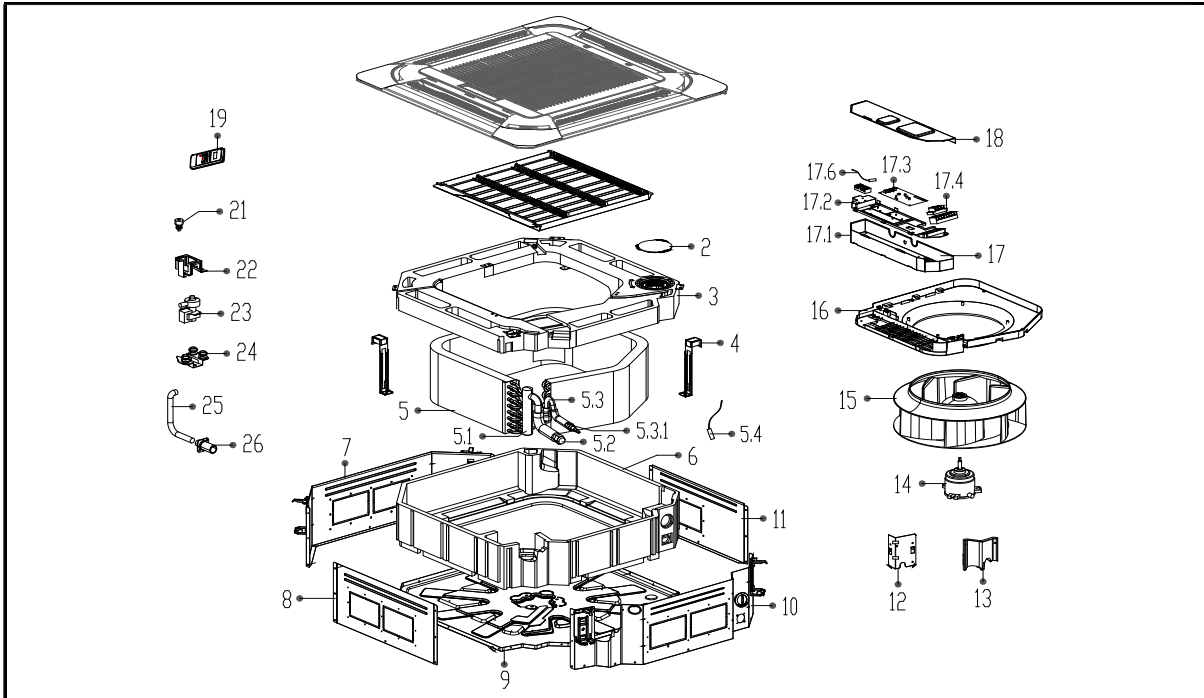


Perfect Aire Exploded View

Perfect Aire Model: 2PAMSCH24
Product Name: 24,000 BTU Multi-Zone Mini-Split Cassette Indoor Unit
Power Supply: null,208_230V_1Ph,FREQUENCY_60HZ



No.	Part Name	Quantity	BOM Code	Remark
2	Cover	1	12122500000025	
3	Foam tray assembly for condenser water	1	12822500000066	
4	Evaporator fixing hanger	2	12222500000084	
5	Evaporator assembly	1	15822500A00084	
5.1	Output pipe assembly	1	15122500000242	
5.2	Copper nut	1	15500406000003	TLM-D04
5.3	Input pipe assembly	1	15122500000276	
5.3.1	Copper nut	1	15500406000010	TLM-B02
5.4	Pipe temperature sensor assembly	1	11201007000136	CGQ-WD/GW4100-L850-SMP3B-P800
5.4	Pipe temperature sensor assembly	1	11201007000266	CGQ-WD/GW4100-L1400-XAP2-P1220-R150
6	Base foam assembly	1	12822500000014	
7	Board assembly III	1	12222500000159	
8	Board assembly I	1	12222500000232	
9	Chassis assembly	1	12222500000122	
10	Board assembly II	1	12222500000135	

11	Board assembly IV	1	12222500000238	
12	Evaporator fixing board	1	12222500000106	
13	Pipe fixing board assembly	1	12122500000331	
14	Asynchronous motor	1	11002015000173	ZKFP-42-8-1
15	Fan assembly	1	12100103000040	LX-460*128*12-7N
16	Ventilation assembly	1	12122500000591	
17	Electronic control box assembly	1	17222500000103	
17.1	Electronic control box	1	12222500000119	
17.2	Insulation plate	1	12122500000029	
17.3	Main control board assembly	1	17122500000342	US1-KFR70Q4/BP3N1Y-DU-W.JD.Q.NK.NK2.1
17.4	Wire joint	1	17400401000075	JXZ-PT5H-A
17.6	Ambient temperature sensor assembly	1	11201007000283	CGQ-WD/SW4100-L150-SMP2-P110
18	Cover of electronic control box I	1	12222500000162	
19	Remote controller	1	17317000A16661	RG52F3/BGEFU1
21	Water level sensor assembly	1	11201005000006	
22	Water Pump installation bracket assembly	1	12222500001212	
23	Drain pump	1	17400802000012	
24	Pump rubber washer	3	12622500000006	
25	Drain pipe	1	12622500000013	
26	Water pipe	1	12100509000068	
36	Bracket of remote Controller	1	12117000000089	