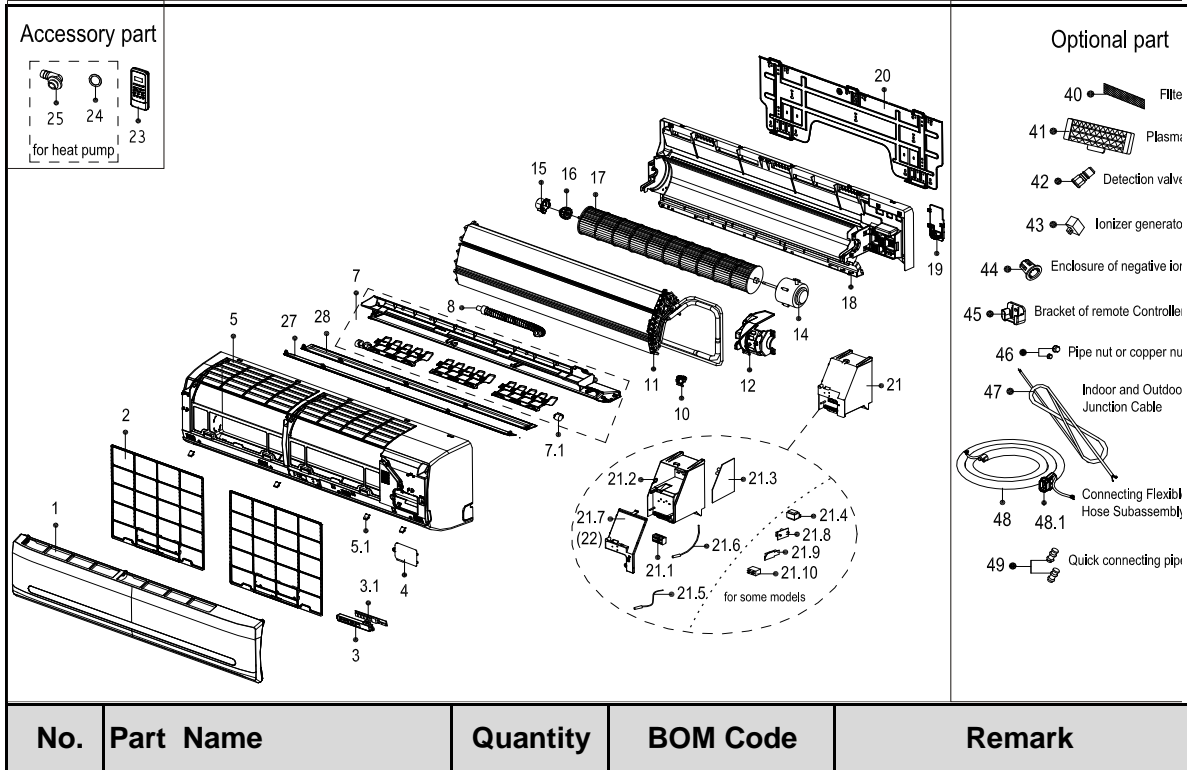


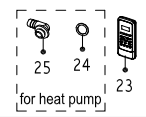
Perfect Aire Exploded View

Perfect Aire Model: 2PAMSH36B-SZW-16
Product Name: 36,000 BTU Single-Zone Mini-Split Indoor Unit 230V
Power Supply: 208And230V_1Ph,FREQUENCY_60HZ

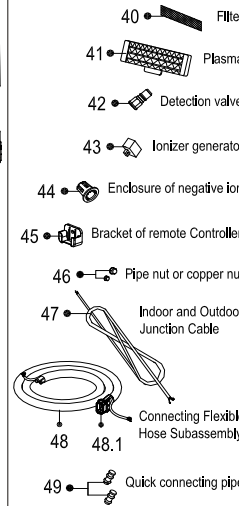


| No. | Part Name | Quantity | BOM Code | Remark |
|-----|---------------------------------|----------|----------------|------------------------------------|
| 1 | Panel assembly | 1 | 12122000A38021 | AC PRO-KFR90G/Y-AB2(C)2.1-0101 |
| 2 | Air filter | 2 | 12100204000456 | |
| 3 | Display box assembly | 1 | 17222000A07665 | |
| 3.1 | Display board assembly | 1 | 17122000A08523 | EU-KFR26G/N1Y-AB2.JD.GN.WXXS.XS2.2 |
| 4 | Cover of electrical equipment | 1 | 12122000006694 | |
| 5 | Panel frame assembly | 1 | 12122000001931 | |
| 5.1 | Screw cap | 4 | 12122000006272 | |
| 7 | Air outlet assembly | 1 | 12122000011921 | |
| 7.1 | Louver motor | 1 | 11002010000004 | SM-24-19-16-31 |
| 8 | Drain hose | 1 | 12100501000021 | |
| 10 | Fix clamp of temperature sensor | 1 | 12100303000008 | |
| 11 | Evaporator assembly | 1 | 15822000A04272 | |
| 12 | Fan motor cover | 1 | 12122000005475 | |
| 14 | Fan motor | 1 | 11002015000094 | ZKFP-58-8-1 |
| 15 | Bearing holder | 1 | 12122000000350 | |

Accessory part



Optional part



| | | | | |
|------|---|---|----------------|------------------------------|
| 16 | Bearing base | 1 | 12622000000006 | |
| 17 | Cross flow fan | 1 | 12100102000084 | GL-118*955-I |
| 18 | Chassis assembly | 1 | 12122000003909 | |
| 19 | Pipe clamp board | 1 | 12122000000460 | |
| 20 | Installation plate | 1 | 12222000000029 | |
| 21 | Electronic control box assembly | 1 | 17222000009480 | |
| 21.1 | Wire joint | 1 | 17400401000006 | JXZ-AD5Z(UL)-C(YF2004C) |
| 21.2 | Electronic control box Indoor main control board assembly | 1 | 12122000004617 | US1-KFR105G/BP3N1Y-ABF(P0)- |
| 21.3 | Ambient temperature sensor assembly | 1 | 17122000018871 | CGQ-WD/SW4100-L350-XHP2-P250 |
| 21.5 | Pipe temperature sensor assembly | 1 | 11201007000088 | CGQ-WD/GW4100-L350-XAP2-P320 |
| 21.6 | Cover of electronic control box | 1 | 12122000005040 | |
| 23 | Remote Controller | 1 | 17317000A11464 | WP-RG52F3/BGEFU1-01 |
| 24 | Seal ring | 1 | 12600701000039 | |
| 25 | Drain joint | 1 | 12100509000061 | |
| 27 | Horizontal louver (above) | 1 | 12122000006106 | |
| 28 | Horizontal louver (below) | 1 | 12122000008092 | |
| 40 | Air freshening filter | 1 | 12100204000685 | |
| 45 | Bracket of remote Controller | 1 | 12117000000089 | |
| 46 | Pipe nut or Copper nut | 1 | 15500406000003 | TLM-D04 |
| 46 | Pipe nut or Copper nut | 1 | 15500406000010 | TLM-B02 |