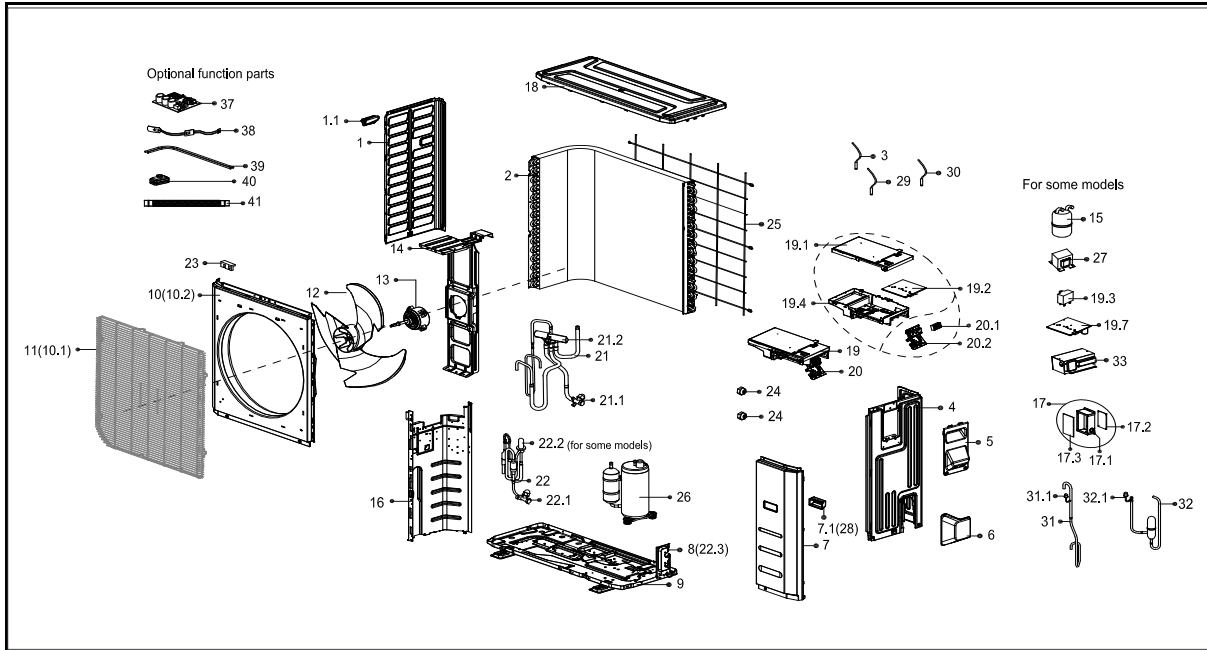


# Perfect Aire Exploded View

**Perfect Aire Model:** 2PAMSH30B-SZO-18  
**Product Name:** 30,000 BTU Single-Zone Mini-Split Outdoor Unit 230V  
**Power Supply:** 208And230V\_1Ph,FREQUENCY\_60HZ



No.	Part Name	Quantity	BOM Code	Remark
1	Left side plate assembly of cabinet	1	12222000006665	
1.1	Small handle	1	12100701000033	
2	Condenser assembly	1	15822000A04832	
3	Pipe temperature sensor assembly	1	11201007000006	CGQ-WD/GW4100-L1300-SMP3B-P1000
4	Rear right clapboard assembly	1	12222000006664	
5	Big handle	1	12222000004019	
6	Water collector	1	12122200002695	
7	Front right clapboard assembly	1	12222500000633	
7.1	Handle	1	12100702000038	
9	Chassis assembly	1	12222000004018	
10	Front panel	1	12222000004983	
11	Air outlet grille	1	12222000000907	
12	Axial flow fan	1	12100105000084	ZL-560*139*12-3KN
13	Fan motor	1	11002015000247	ZKFN-120-8-2
14	Supporter assembly of fan motor	1	12222000005162	

16	Partition board assembly	1	12222200001158	
18	Top cover assembly	1	12222500000587	
19	Electronic control box assembly	1	17222000A16189	350(PFC)(311+767+ATF235+DWZL+DJR2).JD.FW.WXWKB.
19.1	Cover of electronic control box	1	12122200002719	
19.2	Outdoor main control board assembly	1	17122000A13467	US1-KFR88W/BP3N1W-350(PFC+311+767+DWZL+DJ
19.4	Electronic installing box	1	12122200002715	
19.7	Inverter control board assembly	1	17122000015997	350(ATF235D22UMT).JD.TY.MK.MK1
20	Terminal board assembly	1	17222000014908	
20.1	Wire joint	1	17400401000037	JXZ-AG6H-A
20.2	Terminal board	1	12222200001476	
21	4-ways valve assembly	1	15422000004892	
21.1	Gas valve	1	15500204000025	DYF-C15N1
21.2	4-ways valve	1	15500216000361	STF-02BN1
21.4	Suction assembly	1	15122000010254	
21.5	Discharge assembly	1	15122000010256	
22	liquid valve assembly	1	15422000008653	
22.1	Liquid valve	1	15500204000021	DYF-A28N
22.2	Electronic expansion valve	1	15500213000265	DPF(T01)2.0C-04(L=1500)
22.3	Valve plate	1	12222200002110	
23	Clamp of front net	8	12122000006844	
24	Copper nut	1	15500406000003	TLM-D04
24	Copper nut	1	15500406000010	TLM-B02
25	Rear net	1	12222000006604	
26	Compressor	1	11103020000319	ATF250D22UMT
29	Discharge temperature sensor assembly	1	11201007000157	CGQ-WD/PQ3950-L500-SMP2B-G470
30	Ambient temperature sensor assembly	1	11201007000039	CGQ-WD/SW4100-L850-SMP2-P650
38	Crankcase electric heater	1	17402001000119	
39	Electric heater of chassis	1	17402002000043	