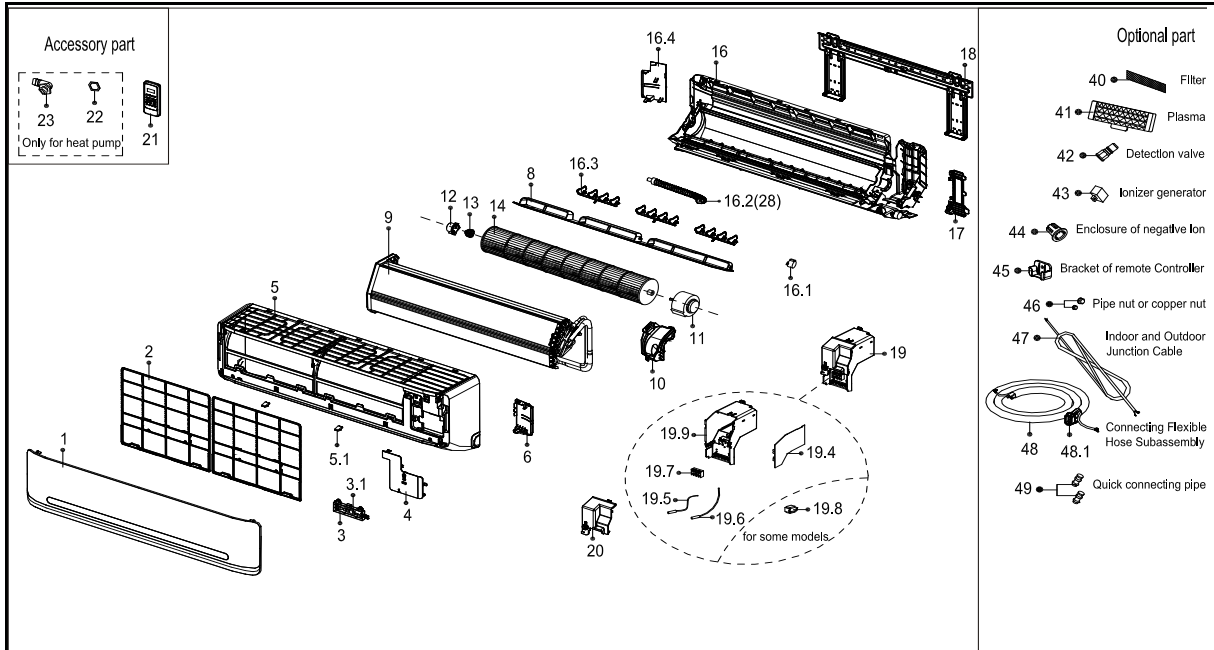


# Perfect Aire Exploded View

**Perfect Air Model:** 2PAMSH24B-SZW-16  
**Product Name:** 24,000 BTU Single-Zone Mini-Split Indoor Unit 230V  
**Power Supply:** 208And230V\_1Ph,FREQUENCY\_60HZ



No.	Part Name	Quantity	BOM Code	Remark
1	Panel assembly	1	12122000A34501	PERF-KFR70G/N1Y-AB2.1-0101
2	Air filter	2	12100204000461	
3	Display box assembly	1	17222000A07665	
3.1	Display board assembly	1	17122000A08523	EU-KFR26G/N1Y-AB2.JD.GN.WXXS.XS2.2
4	Cover of electrical equipment	1	12122000006733	
5	Panel frame assembly	1	12122000001956	
5.1	Screw cap	2	12122000008242	
6	Right cover of chassis	1	12122000004608	
8	Horizontal louver assembly	1	12122000006335	
9	Evaporator assembly	1	15822000A06710	
10	Fan motor cover	1	12122000005512	
11	Fan motor	1	11002015000094	ZKFP-58-8-1
12	Bearing holder	1	12122000000350	
13	Bearing base	1	12622000000006	
14	Cross flow fan	1	12100102000018	GL-108*818
16	Chassis assembly	1	12122000011879	

17	Pipe clamp board	1	12122000012942	
18	Installation plate	1	12222000000026	
19	Electronic control box assembly	1	17222000009373	
19.4	Indoor main control board assembly	1	17122000018739	US1-KFR67G/BP3N1Y-ABE(Q0)-
19.5	Ambient temperature sensor assembly	1	11201007000085	CGQ-WD/SW4100-L400-XHP2-P300
19.6	Pipe temperature sensor assembly	1	11201007000126	CGQ-WD/GW4100-L500-XAP2-P450
19.7	Wire joint	1	17400401000006	JXZ-AD5Z(UL)-C(YF2004C)
19.9	Electronic installing box	1	12122000007845	
20	Cover of electronic control box	1	12122000005024	
21	Remote Controller	1	17317000A16661	RG52F3/BGEFU1
22	Seal ring	1	12600701000039	
23	Drain joint	1	12100509000061	
28	Drain hose	1	12100501000032	
40	Air freshening filter	2	12100204000461	
40	Air freshening filter	1	12100207000131	
45	Bracket of remote Controller	1	12117000000089	
46	Pipe nut or copper nut	1	15500406000003	TLM-D04
46	Pipe nut or copper nut	1	15500406000010	TLM-B02