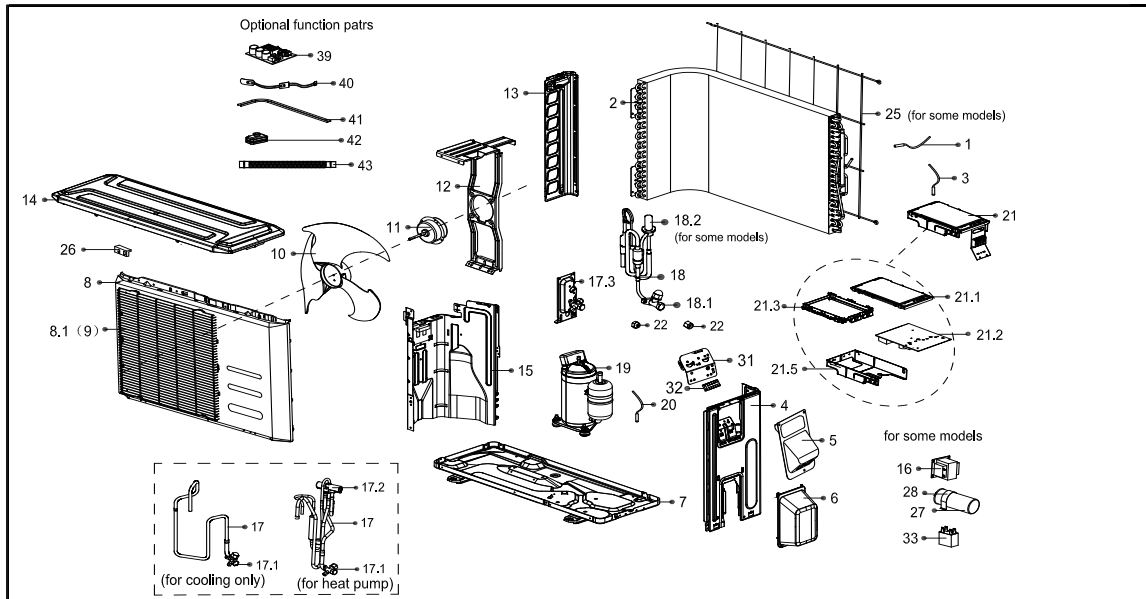


Perfect Aire Exploded View

Perfect Aire Model: 2PAMSH09B-SZO-17
Product Name: 9,000 BTU Single-Zone Mini-Split Outdoor Unit 230V
Power Supply: 208And230V_1Ph,FREQUENCY_60HZ



No.	Part Name	Quantity	BOM Code	Remark
1	Ambient temperature sensor assembly	1	11201007000039	CGQ-WD/SW4100-L850-SMP2-P650
2	Condenser assembly	1	15822000A06335	
3	Pipe temperature sensor assembly	1	11201007000136	CGQ-WD/GW4100-L850-SMP3B-P800
4	Right clapboard assembly	1	12222000006249	
5	Big handle	1	12222000005102	
6	Water collector	1	12122000007150	
7	Chassis assembly	1	12222000006485	
8	Front panel	1	12222000004842	
9	Air outlet grille	1	12222000007424	
10	Axial flow fan	1	12100105000057	ZL-425*127*8-3KN
11	Fan Motor	1	11002012009060	YKT-32-6-3L
12	Supporter assembly of fan motor	1	12222000004184	
13	Left supporter	1	12222000006244	
14	Top cover assembly	1	12222000006246	
15	Partition board assembly	1	12222000006484	
17	4-Ways valve assembly	1	15422000004672	
17.1	Gas valve	1	15500204000021	DYF-A28N

17.2	4-Ways valve	1	15500216000028	STF-01N1
17.3	Valve plate	1	12222000002571	
18	Liquid valve assembly	1	15422000004812	
18.1	Liquid valve	1	15500208000028	GYF-A28N
19	Compressor	1	11103020000034	ASN98D22UFZ
20	Discharge temperature sensor assembly	1	11201007000005	CGQ-WD/PQ3950- US1- L380-SMP2R-G340
21	Electronic control box assembly	1	17222000A16551	KFR26W/BP2N1-
21.1	Cover of electronic control box	1	12222000001455	US1-
21.2	Outdoor main control board assembly	1	17122000A13668	KFR26W/BP2N1- BA01(RX62T+FAN
21.3	Support of electronic control box	1	12122000006913	
21.5	Electronic installing box	1	12222000001311	
22	Copper nut	1	15500406000010	TLM-B02
22	Copper nut	1	15500406000016	TLM-A01
25	Rear net	1	12222000003986	
31	Terminal board	1	12222000002259	
32	Wire joint	1	17400401000075	
33	Capacitor	1	17400101000019	2.5UF/450V TUV/VDE
40	Crankcase electric heater	1	17402001A00003	DJRD-358A-1000- 20W-4