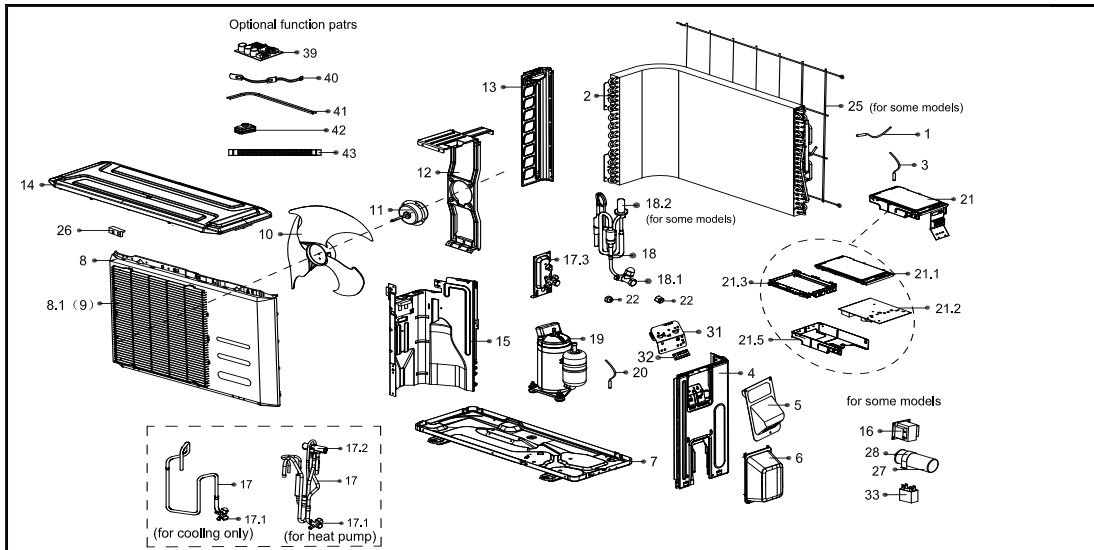


Perfect Aire Exploded View

Perfect Aire Model: 2PAMSH09A-SZO-17
Product Name: 9,000 BTU Single-Zone Mini-Split Outdoor Unit 115V
Power Supply: 115V_1Ph,FREQUENCY_60HZ



No.	Part Name	Quantity	BOM Code	Remark
1	Ambient temperature sensor assembly	1	11201007000039	CGQ-WD/SW4100-L850-SMP2-P650
2	Condenser assembly	1	15822000A06335	
3	Pipe temperature sensor assembly	1	11201007000136	CGQ-WD/GW4100-L850-SMP3B-P800
4	Right clapboard assembly	1	12222000006249	
5	Big handle	1	12222000005102	
6	Water collector	1	12122000007150	
7	Chassis assembly	1	12222000006485	
8	Front panel	1	12222000004842	
9	Air outlet grille	1	12222000007424	
10	Axial flow fan	1	12100105000057	ZL-425*127*8-3KN
11	Fan Motor	1	11002012009440	YKT-32-6-202L
12	Supporter assembly of fan motor	1	12222000004184	
13	Left supporter	1	12222000006244	
14	Top cover assembly	1	12222000006246	
15	Partition board assembly	1	12222000006484	
16	Reactor	1	17400306000019	R1803B(AL)(BP)
17	4-Ways valve assembly	1	15422000005174	
17.1	Gas valve	1	15500204000021	DYF-A28N

17.2	4-Ways valve	1	15500216000341	STF-01AN1A
17.3	Valve plate	2	12222000002571	
18	Liquid valve assembly	1	15422000004812	
18.1	Liquid valve	1	15500208000028	GYF-A28N
19	Compressor	1	11103020000034	ASN98D22UFZ
20	Discharge temperature sensor assembly	1	11201007000005	CGQ-WD/PQ3950-
				US-380-SMP2R-G340
21	Electronic control box assembly	1	17222000A16649	KFR26W/BP2N1-
				BA30(115V+PD220
21.1	Cover of electronic control box	1	12222000001455	
21.2	Outdoor main control board assembly	1	17122000A13694	US-
				KFR26W/BP2N1-
21.3	Support of electronic control box	1	12122000006913	
21.5	Electronic installing box	1	12222000001311	
22	Copper nut	1	15500406000010	TLM-B02
22	Copper nut	1	15500406000016	TLM-A01
25	Rear net	1	12222000003986	
27	Capacitor of compressor	1	17400103000052	45UF/250V
28	Capacitor clip	1	12200203000019	
31	Terminal board	1	12222000002259	
32	Wire joint	1	17400401000035	
				DJRD-358A-700-20W-5
40	Crankcase electric heater	1	17402001A00008	