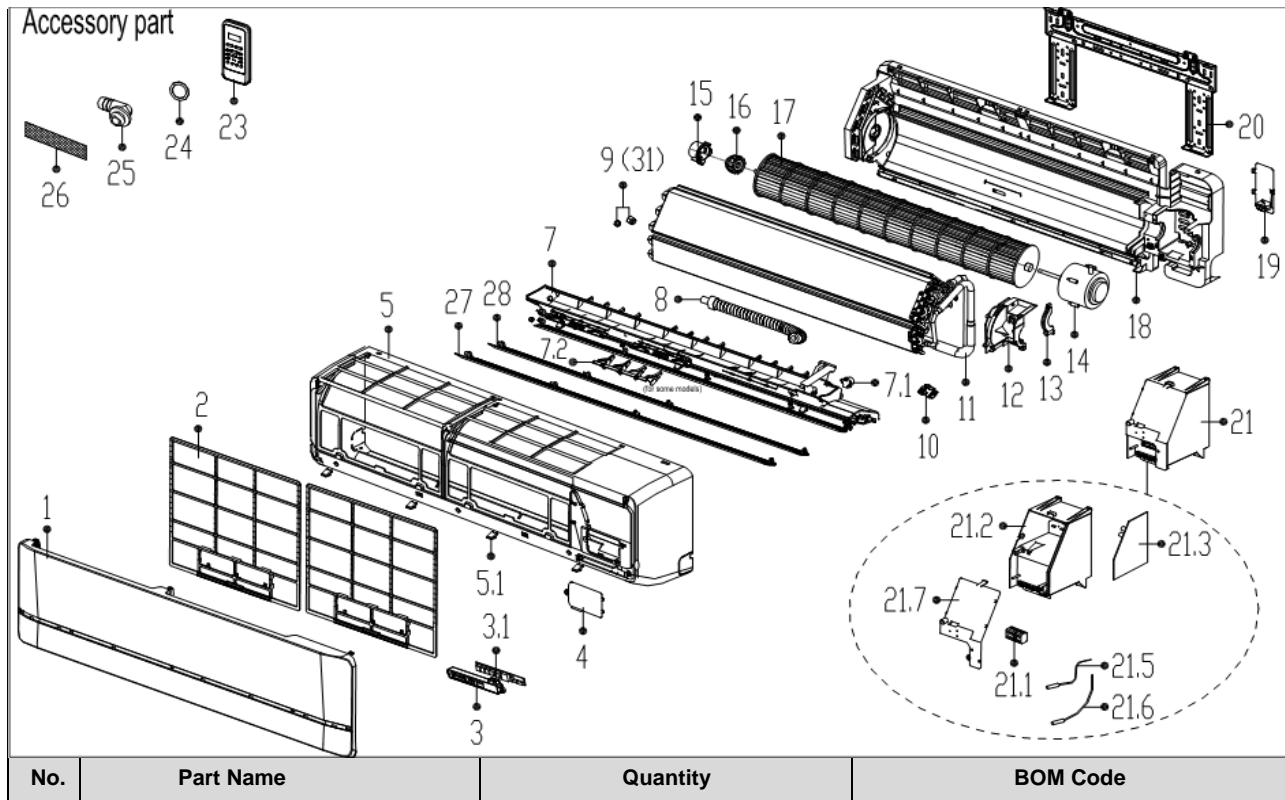


Perfect Aire Exploded View

Perfect Aire Model: 1PAMSHH24-SZW-20.5
Product Name: 24,000 BTU HyperTek Mini-Split Indoor Unit
Power Supply: 208-230V~ 60Hz 1Phase



No.	Part Name	Quantity	BOM Code
1	Panel assembly	1	12122000A54349
2	Filter	2	12100204000651
3	Display box assembly of Split Unit	1	17222000A20310
3.1	Display board assembly of Split Unit	1	17122000A14908
4	Electrical cover	1	12122000006694
5	Panel frame ass'y	1	12122000A08690
5.1	Screw cover	4	12122000006272
7	Air Out Frame Assembly	1	12122000008963
7.1	stepper motor	1	11002010000047
7.2	Louver	3	12122000008276
8	Drain Hose	1	12100501000021
9	Copper net	1	15500406000003
9	Copper nut	1	15500406000010
10	Temp.sensor fixed card	1	12100303000008
11	Evaporator assembly	1	15822000A05751
12	Motor Bearing Cover	1	12122000005509
13	Fixing board for motor	1	12122000006772
14	Brushless DC Motor	1	11002015000056
15	beating base jacket	1	12122000000350
16	Beating base	1	12622000000006
17	Cross fan	1	12100102000001
18	Chassis Assembly	1	12122000A08691
19	Pipe Pressing Board	1	12122000000460

20	Installation board	1	12222000000030
21	E-Parts Box assembly of Split Indoor Unit	1	17222000004676
21.1	Wire holder	1	17400401000006
21.2	Electrical Control Box	1	12122000004617
21.3	Indoor Main Control Board Subassembly (Sticker)	1	17122000011107
21.5	Room Temperature Sensor	1	11201007000088
21.6	Temperature Sensor	1	11201007000322
21.7	Electrical Control Box Cover	1	12122000005040
23	Remote controller	1	17317000A37060
24	Seal ring	1	12600701000039
25	Drain hose	1	12100509000061
26	Air freshening filter	1	12100204000685
27	Louver	1	12122000006181
28	Louver	1	12122000008085