

Perfect Aire Exploded View

Perfect Aire Model:

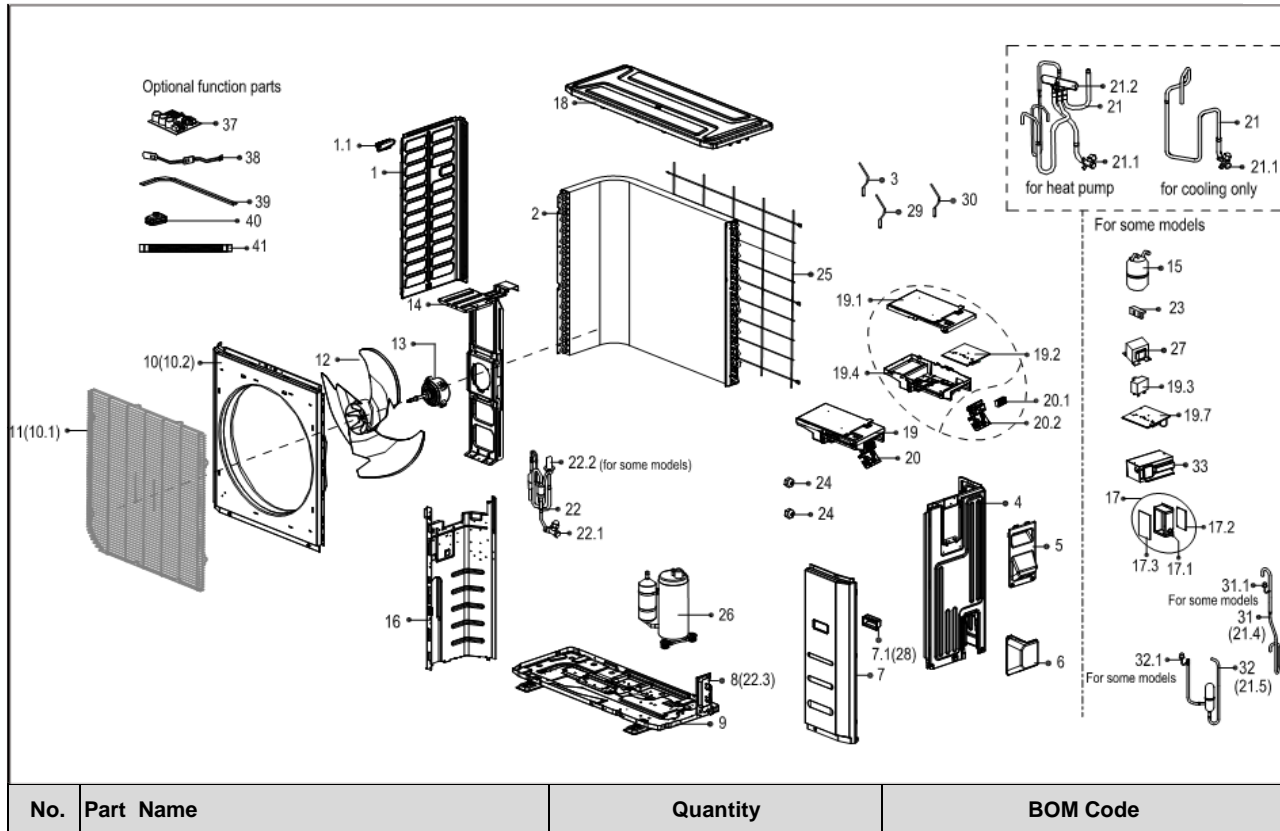
1PAMSHH24-SZO-20.5

Product Name:

BTU HyperTek Mini-Split Outdoor Unit

Power Supply:

208_230V_1Ph,FREQUENCY_60HZ



20.1	Wire holder	1	17400401000037
20.2	Wiring terminal installing plate	1	12222200001476
21	4-ways valve assembly	1	15422000003952
21.1	Stop valve	1	15500204000025
21.2	4-ways valve	1	15500216000361
21.4	Suction assembly	1	15122000010254
21.5	Discharge assembly	1	15122000010256
22	Liquid valve Assembly	1	15422000003309
22.1	Low Pressure Valve	1	15500204000021
22.2	Electronic expansion valve	1	15500213000265
22.3	Installation plate for valves	1	12222200002110
24	Copper net	1	15500406000003
24	Copper nut	1	15500406000010
25	Rear net	1	12222000006604
26	Inverter Controlled Rotary Compressor	1	11103020000179
29	Discharge temperature sensor assembly	1	11201007000157
30	Room Temperature Sensor	1	11201007000039
38	Crankcase electric heater	1	17402001000119
39	Electrical Heating Tube	1	17402002000043
99	Connection cable assembly of compressor	1	17401203000909