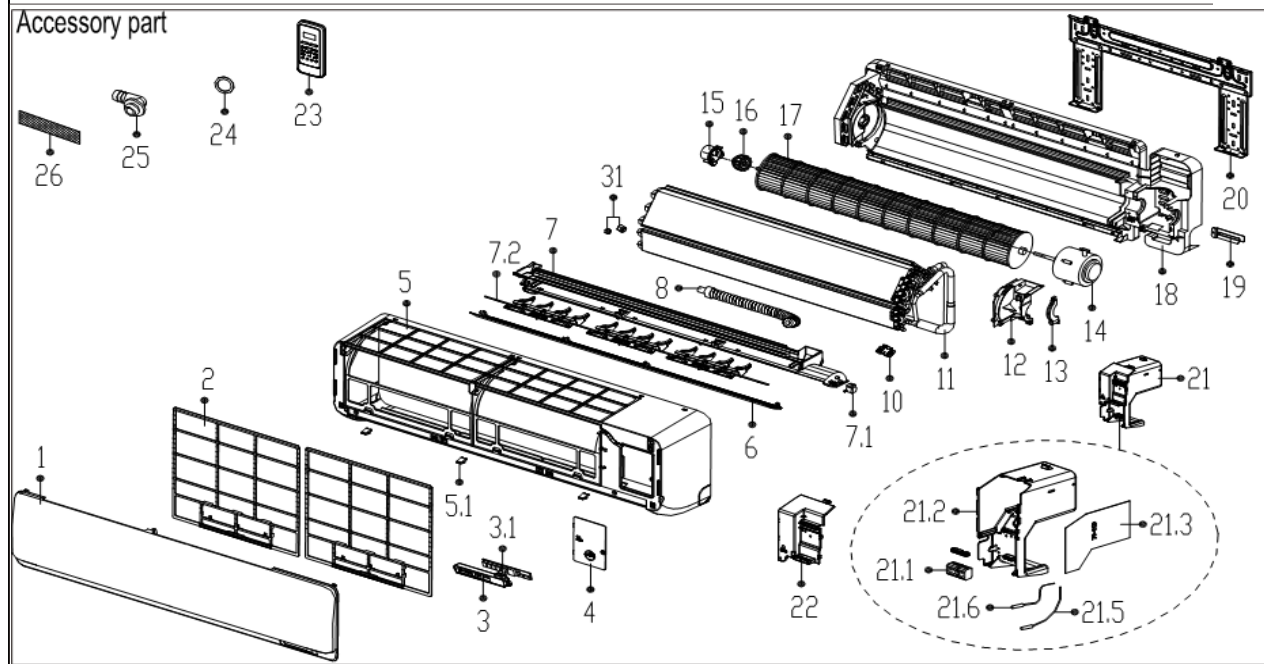


Perfect Aire Exploded View

Perfect Aire Model: 1PAMSHH18-SZW-22.5
Product Name: 18,000 HyperTek Mini-Split Indoor Unit
Power Supply: 208And230V_1Ph,FREQUENCY_60H Z



No.	Part Name	Quantity	BOM Code
1	Panel assembly	1	12122000A54350
2	Filter	2	12100204000400
3	Display box assembly of Split Unit	1	17222000A20309
3.1	Display board assembly of Split Unit	1	17122000A14908
4	Electrical cover	1	12122000006693
5	frame assembly	1	12122000001746
5.1	Screw cover	3	12122000006272
6	Louver	1	12122000005707
7	Air Out Frame Assembly	1	12122000008962
7.1	stepper motor	1	11002010000015
7.2	Louver	3	12122000008276
8	Drain Hose	1	12100501000021
9	plastic nut	1	15500404000009
9	Copper nut	1	15500406000012
9	Copper nut	1	15500406000016
10	Temp.sensor fixed card	1	12100303000008
11	Evaporator assembly	1	15822000A04169
12	Motor cover	1	12122000005516
13	Fixing board for motor	1	12122000006772
14	Brushless DC Motor	1	11002015000094
15	beating base jacket	1	12122000000350
16	Beating base	1	12622000000006
17	Cross fan	1	12100102000007
18	Chassis Assembly	1	12122000A08689

19	Pipe Pressing Board	1	12222000000054
20	Installation Plate	1	12222000000020
21	E-Parts Box assembly of Split Indoor Unit	1	17222000003284
21.1	Wire holder	1	17400401000006
21.2	E-Part box	1	12122000004609
21.3	Indoor Main Control Board Subassembly (Sticker)	1	17122000010482
21.5	Room Temperature Sensor	1	11201007000003
21.6	Temperature Sensor	1	11201007000126
22	E-Part box cover	1	12122000005029
23	Remote controller	1	17317000A37060
24	Seal ring	1	12600701000039
25	Drain hose	1	12100509000061
26	Air freshening filter	1	12100204000685
42	Detection valve	1	15500209000001