

Perfect Aire Exploded View

1PAMSHH18-SZO-22.5

Perfect Aire Model:

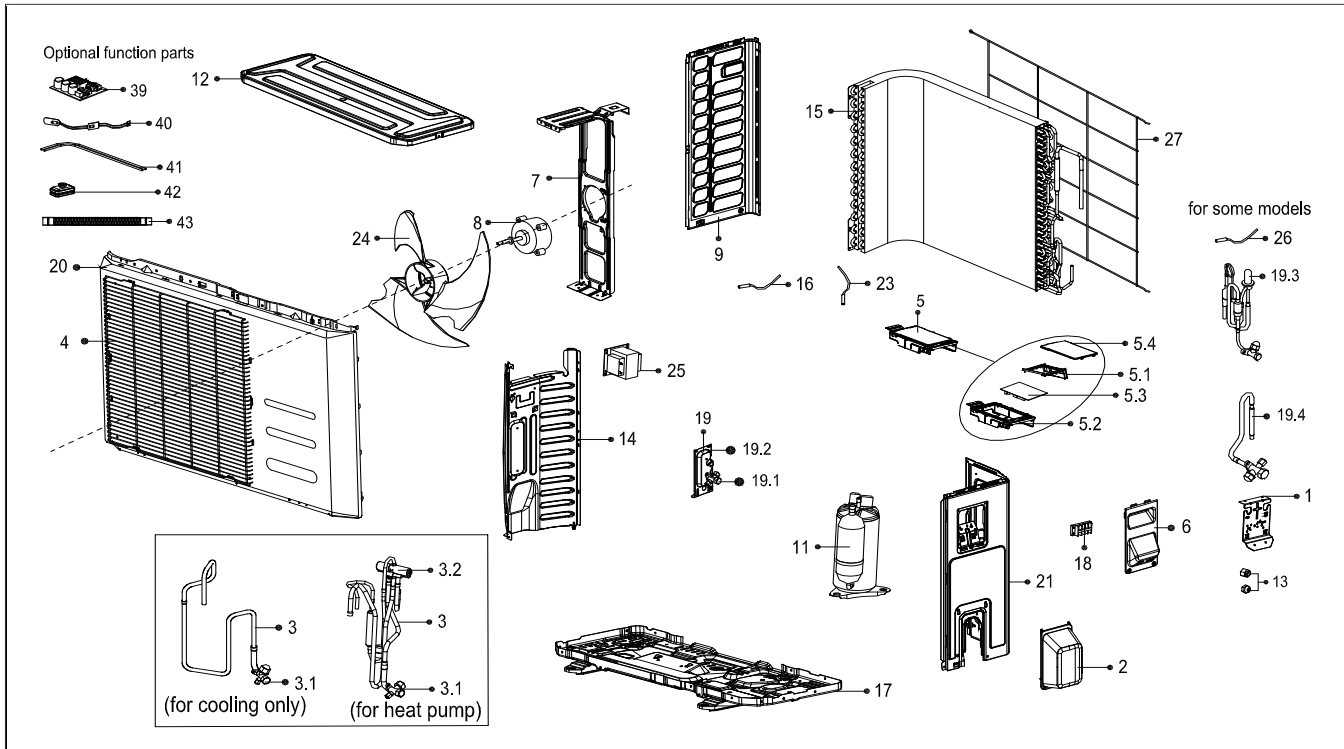
1PAMSHH18-SZO-22.5

Product Name:

18,000 BTU HyperTek Mini-Split Outdoor Unit

Power Supply:

208And230V_1Ph,FREQUENCY_60HZ



No.	Part Name	Quantity	BOM Code
1	Terminal board	1	12222000004782
2	Water Collecting Cover	1	12122000007150
3	4-way Valve Assembly	1	15422000008613
3.1	Stop valve	1	15500204000046
3.2	4-way Valve	1	15500216000026
4	Air outlet grille	1	12222000007425
5	Electronic control box assembly	1	17222000018600
5.1	Supporting Plate	1	12122000014683
5.2	Cover of electronic control box	1	12222000004827
5.3	Outdoor main control board assembly	1	17122000030836
5.4	Electric Installing Box Subassembly	1	12122000006856
6	Big handle	1	12222000005102
7	Supporter assembly of fan motor	1	12222000004884
8	Brushless DC Motor	1	11002015000397
9	Left side plate assembly	1	12222000004831
11	DC Inverter Rotary Compressor	1	11103020000499
12	Top cover assembly	1	12222000004835
13	Copper nut	1	15500406000012
13	Copper nut	1	15500406000016
14	Partition board assembly	1	12222000004784
15	Condenser assembly	1	15823000A01699
16	Room Temperature Sensor	1	11201007002020

17	Chassis assembly	1	12222000A01111
18	Wire holder	1	17400401000075
19	Liquid valve assembly	1	15422000004952
19.1	Liquid valve	1	15500208000028
19.2	Installing plate for valves	1	12222000002571
19.3	Electric expansive valve assembly	1	15500213000047
20	Front panel	1	12222000006304
21	Right side plate	1	12222000004830
23	Pipe temperature sensor assembly	1	11201007000069
24	Axial fan	1	12100105000181
25	Reactor	1	17400306000058
26	Discharge temperature sensor assembly	1	11201007000005
27	Rear net	1	12222000004833
40	Electric heating strip of compressor	1	17402001000008
41	Electrical Heating Tube	1	17402002000043
99	Connection cable assembly of compressor	1	174012030000939