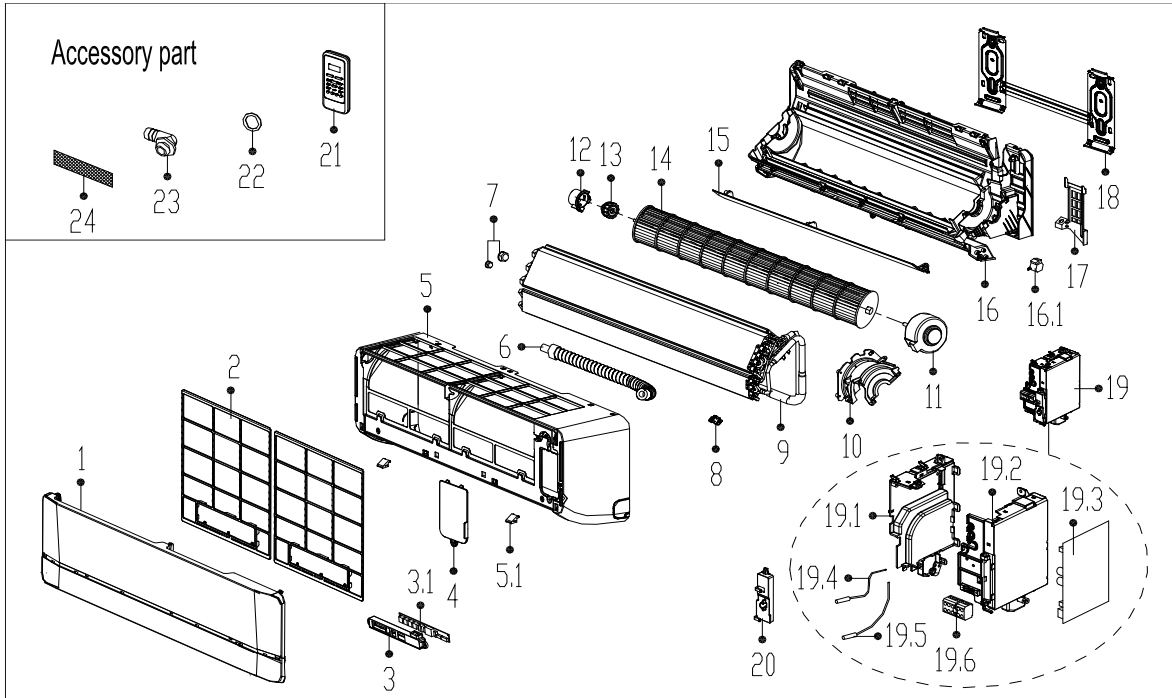


# Perfect Aire Exploded View

**Perfect Aire Model:** 1PAMSHH12-SZW-22.5  
**Product Name:** 12,000 BTU HyperTek Mini-Split Indoor Unit  
**Power Supply:** 208-230V~ 60Hz 1Phase



No.	Part Name	Quantity	BOM Code	Remark
				PERF-KFR35G/N1Y-11M3.1-
1	Panel assembly	1	12122000A54351 0102	
2	Filter	2	12100204000466	
3	Display box assembly of Split Unit	1	17222000A20308	
3.1	Display board assembly of Split Unit	1	17122000A14907 11M3(BLUE,XK).D.01.XS2.2	IL-KF(R)26(35)G/N1Y-
4	Electrical cover	1	12122000006694	
5	Panel frame ass'y	1	12122000001983	
5.1	Screw cover	2	12122000006272	
6	Drain Hose	1	12100501000021	
7	plastic nut	1	15500404000009	GLM-C03A
7	Copper nut	1	15500406000012	TLM-C03
7	Copper nut	1	15500406000016	TLM-A01
8	Temp.sensor fixed card	1	12100303000008	
9	Evaporator assembly	1	15822000A06291	
10	Motor cover	1	12122000005431	
11	Brushless DC Motor	1	11002015000051	ZKFP-20-8-6-7

12	beating base jacket	1	12122000000350
13	Beating base	1	12622000000006
14	Cross fan	1	12100102000074 GL-98*655-N
15	Louver ass'y	1	12122000005101
16	Chassis Assembly	1	12122000009003
16.1	stepper motor	1	11002010000143 SM-24-19-16-8
17	Pipe Pressing Board	1	12122000000455
18	E-Parts Box assembly of	1	12222000000031
19	Split Indoor Unit	1	17222000007380
19.1	E-Part box	1	12122000004586
19.2	E-Part box	1	12122000004565
	Indoor Main Control Board		11M1(W0).ZJD.JGN.WXNK.NK2.
19.3	Subassembly (Sticker)	1	17122000014253 1(AB) CGQ-WD/SW4100-L350-XHP2-
19.4	Room Temperature Sensor	1	11201007000088 P250 CGQ-WD/GW4100-L300-XAP2-
19.5	Coil Temperature Sensor	1	11201007000001 R280-01
19.6	Wire holder	1	17400401000006 JXZ-AD5Z(UL)-C(YF2004C)
20	E-Part box cover	1	12122000004994
21	Remote controller	1	17317000A37060 RG57A6/BGEFU1
22	Seal ring	1	12600701000039
23	Drain hose	1	12100509000061
24	Air fresh Net	1	12100206000056
42	Detection valve	1	15500209000001