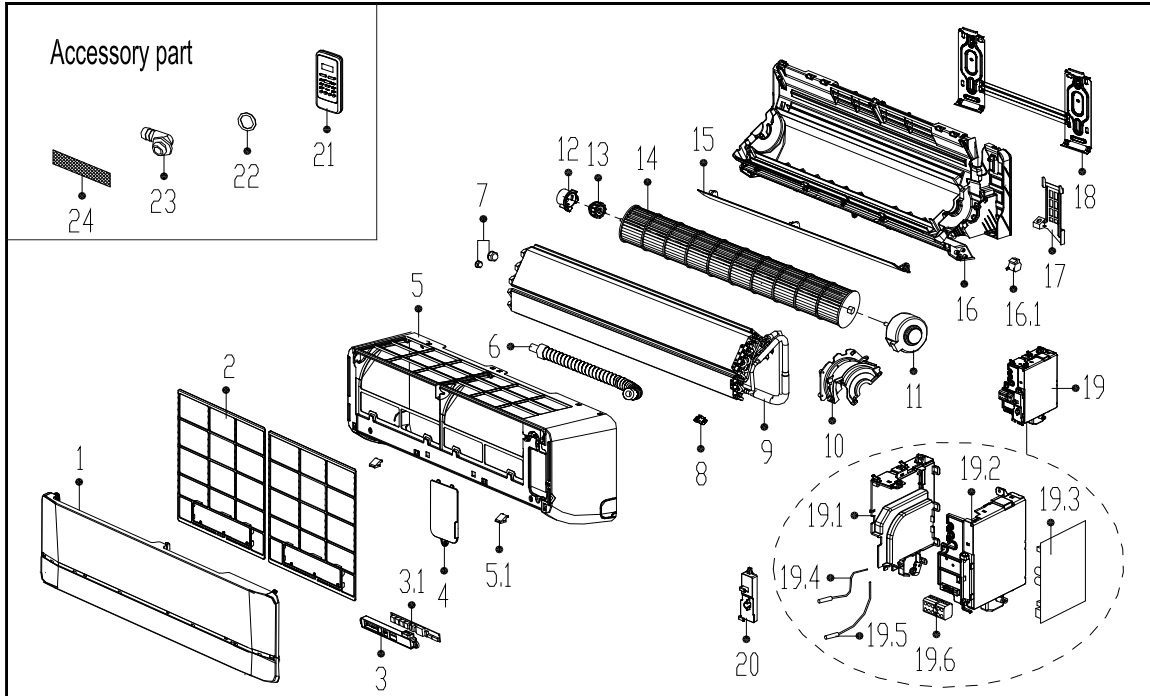


Perfect Aire Exploded View

Model: 1PAMSHH09-SZW-25
Product Name : 9,000 BTU HyperTek Mini-Split Indoor Unit
Power Supply: 208-230V~ 60Hz 1Phase



No.	Part Name	Quantity	BOM Code	Remark
1	Panel assembly	1	12122000A54351	PERF-KFR35G/N1Y-11M3.1-0102
2	Filter	2	12100204000466	
3	Display box assembly of Split Unit	1	17222000A20308	
3.1	Display board assembly of Split Unit	1	17122000A14907	IL-KF(R)26(35)G/N1Y-11M3(BLUE,XK).D.01.XS2.2
4	Electrical cover	1	12122000006694	
5	Panel frame ass'y	1	12122000001983	
5.1	Screw cover	2	12122000006272	
6	Drain Hose	1	12100501000021	
7	Pipe nut or copper nut	1	15500404000002	GLM-B02A
7	Copper nut	1	15500406000010	TLM-B02
7	Copper nut	1	15500406000016	TLM-A01
8	Temp.sensor fixed card	1	12100303000008	
9	Evaporator assembly	1	15822000A06991	
10	Motor cover	1	12122000005431	
11	Brushless DC Motor	1	11002015000051	ZKFP-20-8-6-7

12	beating base jacket	1	12122000000350	
13	Beating base	1	12622000000006	
14	Cross fan	1	12100102000074	GL-98*655-N
15	Louver ass'y	1	12122000005101	
16	Chassis Assembly	1	12122000009003	
16.1	stepper motor	1	11002010000143	SM-24-19-16-8
17	Pipe Pressing Board	1	12122000000455	
18	RoHS IL-KFR35G/N1Y-11M1.4B E-Parts Box assembly of Split	1	12222000000031	
19	Indoor Unit	1	17222000007378	
19.1	E-Part box	1	12122000004586	
19.2	E-Part box Indoor Main Control Board	1	12122000004565	11M1(X5).ZJD.JGN.WXNK.NK
19.3	Subassembly (Sticker)	1	17122000014254	2.1(AB) CGQ-WD/SW4100-L350-XHP2- P250
19.4	Room Temperature Sensor	1	11201007000088	CGQ-WD/GW4100-L300-XAP2- R280-01
19.5	Temperature Sensor	1	11201007000001	R280-01
19.6	Wire holder	1	17400401000006	JXZ-AD5Z(UL)-C(YF2004C)
20	E-Part box cover	1	12122000004994	
21	Remote controller	1	17317000A37060	RG57A6/BGEFU1
22	Seal ring	1	12600701000039	
23	Drain hose	1	12100509000061	
24	Air fresh Net	1	12100206000056	
42	Detection valve	1	15500209000001	