

SINGLE-ZONE MINI-SPLIT SUBMITTAL DATA

SUBMITTAL DATA: 2PAMSH30B-18 SYSTEM

30,000 BTU/H WALL-MOUNTED HEAT-PUMP SYSTEM

Submitted To:	
Submitted By:	
System Designation:	
Location:	

Approval: <input type="checkbox"/>	
Construction: <input type="checkbox"/>	
Schedule No:	
Engineer:	
Notes:	

Indoor Model Number: 2PAMSH30B-SZW-18

Outdoor Model Number: 2PAMSH30B-SZO-18

Power Supply	Ph-V-Hz	208-230V-60Hz ,1Ph	
Cooling*	Rated Capacity	Btu/h	30000
	Input	W	2857
	Rated current	A	12.5
	EER	Btu/w	10.5
	SEER	Btu/w	18

Heating*	Rated Capacity	Btu/h	30000
	Input	W	3110
	Rated current	A	13.5
	COP	W/W	2.8
	HSPF4	BTU/w	9.6
	HSPF5	BTU/w	8.1

* Rating Conditions: (Cooling) - Indoor: 80°F (26.67°C) DB, 67°F (19.44°C) WB; Outdoor: 95°F (35.00°C) DB, 75°F (23.89°C) WB.

* Rating Conditions: (Heating) - Indoor: 70°F (21.11°C) DB, 60°F (15.56°C) WB; Outdoor: 47°F (8.33°C) DB, 43°F (6.11°C) WB.

MINIMUM CIRCUIT AMPACITY	A	20		
MAX.FUSE	A	30		
Moisture Removal	pts/h	7.0		
Compressor	Model	ATF250D22UMT		
	Type	ROTARY		
	Brand	GMCC		
	Capacity	Btu/h	25760	
	Input	W	2070	
	Rated current (RLA)	A	15	
Refrigerant Oil / Oil Charge	ml	ESTER OIL VG74/670		
Indoor Fan Motor	Model	ZKFP-58-8-1		
	Brand	Welling		
	Input	W	58(Output)	
	RLA	A	0.5	
Speed (Hi/Mi/Lo)	r/min	1200/1050/950		
Indoor Air Flow (Hi/Mi/Lo)	m3/h	1350/1050/800		
Indoor Air Flow (Hi/Mi/Lo)	CFM	795/618/471		
Indoor Noise Level (Hi/Mi/Lo)	dB(A)	52.5/-/44.5		
Indoor Unit	Dimension(W*D*H)	mm	1259x282x362	
	Dimension(W*D*H)	inch	49.57x11.10x14.25	
	Packing (W*D*H)	mm	1340x450x380	
	Packing (W*D*H)	inch	52.76x17.72x14.96	
	Net/Gross weight	Kg	19.6/25.2	
	Net/Gross weight	lbs.	43.2/55.6	
Outdoor Fan Motor	Model	ZKFN-120-8-2		
	Brand	Welling		
	Input	W	120(Output)	
	RLA	A	0.6	
Speed	r/min	810		
Outdoor Air Flow	m3/h	4300		
Outdoor Air Flow	CFM	2530		
Outdoor Noise Level	dB(A)	62		
Outdoor Unit	Dimension(W*D*H)	mm	946x420x810	
	Dimension(W*D*H)	inch	37.24x16.54x31.89	
	Packing (W*D*H)	mm	1090x500x865	
	Packing (W*D*H)	inch	42.91x19.69x34.06	
	Net/Gross weight	Kg	62.5/67	
	Net/Gross weight	lbs.	137.79/147.71	

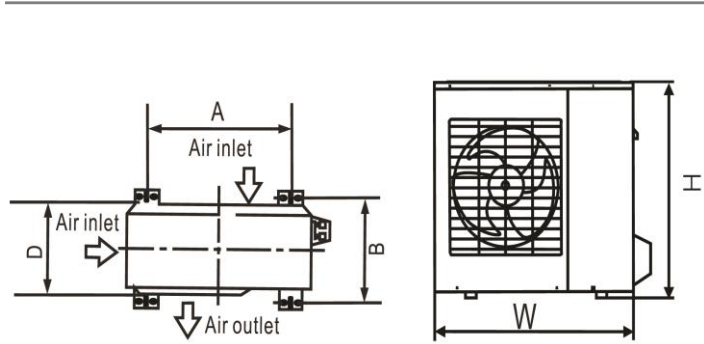
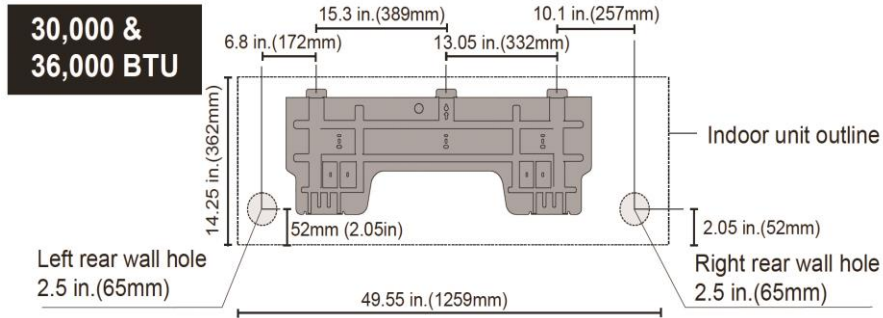
Refrigerant Type	g	R410A/2750g		
Refrigerant Type	oz	R410A/97.0		
Refrigerant Precharge	ft	25		
Additional Charge For Each Lineal Foot Over 25 f	oz	0.322		
Design Pressure	PSIG	550/340 PSIG		
Refrigerant Piping	Liquid side / Gas side	mm (in.)	Φ9.52/Φ15.9(3/8"/5/8")	
	Max. refrigerant pipe length	m	50	
	Max. refrigerant pipe length	ft	164	
	Max. difference in height level	m	25	
	Max. difference in height level	ft	82	
Connection Wiring		16AWG 4-Stranded, unshielded		
Thermostat Type		Remote Control		
Operation Temperature	Indoor (cooling/heating)	°C	17~32/0~30	
	Indoor (cooling/heating)	°F	62~90/32~86	
	Outdoor (cooling/heating)	°C	NA	
	Outdoor (cooling/heating)	°F	NA	
	Outdoor (cooling/heating) - Low Ambient	°C	-15~50/-15~30	
	Outdoor (cooling/heating) - Low Ambient	°F	5~122/5~86	
Application Area (Cooling Standard)	m ²	30.6-44.9		
Application Area (Cooling Standard)	sq.ft	330-484		



SUBMITTAL DATA: 2PAMSH30B-18 SYSTEM

Indoor Model Number: 2PAMSH30B-SZW-18

Outdoor Model Number: 2PAMSH30B-SZO-18



Outdoor Unit Dimensions (W x H x D)	Mounting Dimensions	
	A	B
inches	in.	in.
27 x 17 x 10.25	18.1	10.85
27.5 x 21.25 x 9.45	18	9.85
30.7 x 21.25 x 9.85	21.6	10.85
29.9 x 23.2 x 11.2	20.85	11.4
33.25 x 27.5 x 12.6	22	13.2
31.9 x 22 x 12.2	21.6	12.8
27.9 x 21.65 x 10.63	17.7	10.24
30.3 x 21.85 x 11.81	19.2	11.73
31.5 x 21.8 x 13.1	20.24	13.39
33.25 x 27.5 x 13.38	21.26	13.8
35.4 x 33.85 x 12.4	23.2	13.1
37.2 x 31.9 x 15.55	25.2	15.95
37.21 x 31.9 x 16.53	26.5	15.87

