

# SINGLE-ZONE MINI-SPLIT SUBMITTAL DATA

SUBMITTAL DATA: 2PAMSH24B-16 SYSTEM

24,000 BTU/H WALL-MOUNTED HEAT-PUMP SYSTEM

Job Name:	
Purchaser:	
Submitted To:	
Submitted By:	
System Designation:	
Location:	

Date:	
Reference: <input type="checkbox"/>	
Approval: <input type="checkbox"/>	
Construction: <input type="checkbox"/>	
Schedule No:	
Engineer:	

Indoor Model Number: 2PAMSH24B-SZW-16

Outdoor Model Number: 2PAMSH24B-SZO-16

Power Supply	Ph-V-Hz	208-230V~60Hz ,1Ph	
Cooling*	Rated Capacity	Btu/h	24000
	Input	W	2525
	Rated current	A	11.2
	EER	Btu/w	9.5
	SEER	Btu/w	16

Heating*	Rated Capacity	Btu/h	25000
	Input	W	2425
	Rated current	A	10.7
	COP	W/W	3.0
	HSPF4	BTU/w	9
HSPF5	BTU/w	7.2	

\* Rating Conditions: (Cooling) - Indoor: 80°F (26.67°C) DB, 67°F (19.44°C) WB; Outdoor: 95°F (35.00°C) DB, 75°F (23.89°C) WB.

\* Rating Conditions: (Heating) - Indoor: 70°F (21.11°C) DB, 60°F (15.56°C) WB; Outdoor: 47°F (8.33°C) DB, 43°F (6.11°C) WB.

MINIMUM CIRCUIT AMPACITY	A	18	
MAX.FUSE	A	25	
Moisture Removal	L/h	/	
Compressor	Model	ATF235D22UMT	
	Type	ROTARY	
	Brand	GMCC	
	Capacity	Btu/h	24344
	Input	W	1970
	Rated current (RLA)	A	12
Refrigerant Oil / Oil Charge	ml	ESTER OIL VG74/670	
Indoor Fan Motor	Model	ZKFP-58-8-1	
	Brand	Welling	
	Input	W	58(Output)
	RLA	A	0.4
Speed (Hi/Mi/Lo)	r/min	1100/900/700	
Indoor Air Flow (Hi/Mi/Lo)	m3/h	1000/780/600	
Indoor Air Flow (Hi/Mi/Lo)	CFM	589/459/353	
Indoor Noise Level (Hi/Mi/Lo)	dB(A)	45.5/-/33	
Indoor Unit	Dimension(W*D*H)	mm	1080x226x335
	Dimension(W*D*H)	inch	42.52x8.90x13.19
	Packing (W*D*H)	mm	1155x415x315
	Packing (W*D*H)	inch	45.47x16.34x12.40
	Net/Gross weight	Kg	13.2/16.8
	Net/Gross weight	lbs.	29.1/37.0
Outdoor Fan Moto	Model	YKT-63-6-200L	
	Brand	Welling	
	Input	W	63(Output)
	RLA	A	0.6
Speed	r/min	940	
Outdoor Air Flow	m3/h	2700	
Outdoor Air Flow	CFM	1590	
Outdoor Noise Level	dB(A)	59	
Outdoor Unit	Dimension(W*D*H)	mm	845x363x702
	Dimension(W*D*H)	inch	33.27x14.29x27.64
	Packing (W*D*H)	mm	965x395x755
	Packing (W*D*H)	inch	38.00x15.55x29.72
	Net/Gross weight	Kg	62/66.8
	Net/Gross weight	lbs.	136.69/147.27

Refrigerant Type	g	R410A/1800g	
Refrigerant Type	oz	R410A/63.5	
Refrigerant Precharge	ft	25	
Additional Charge For Each Lineal Foot Over 25	oz	0.322	
Design Pressure	PSIG	550/340 PSIG	
Refrigerant Piping	Liquid side / Gas side	mm(in.)	Φ9.52/Φ15.9(3/8"/5/8")
	Max. refrigerant pipe length	m	30
	Max. refrigerant pipe length	ft	98
	Max. difference in height leve	m	20
Max. difference in height leve	ft	66	
Connection Wiring		16AWG 4-Stranded, Unshielded	
Thermostat Type		Remote Control	
Operation Temperature	Indoor (cooling/heating)	°C	17~32/0~30
	Indoor (cooling/heating)	°F	62~90/32~86
	Outdoor (cooling/heating)	°C	0~50/-15~30
	Outdoor (cooling/heating)	°F	32~122/5~86
	Outdoor (cooling/heating) - Low Ambient	°C	-15~50/-15~30
	Outdoor (cooling/heating) - Low Ambient	°F	5~122/5~86
Application Area (Cooling Standard)	m <sup>2</sup>	30.6-44.9	
Application Area (Cooling Standard)	sq.ft	330-484	

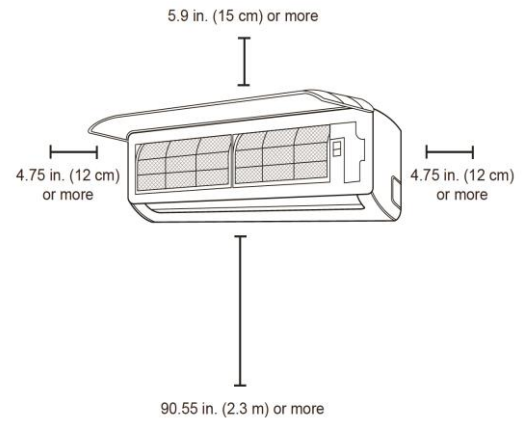
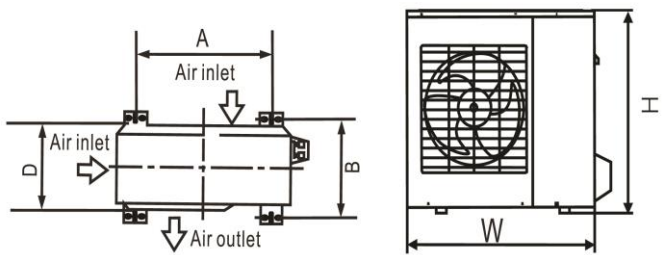
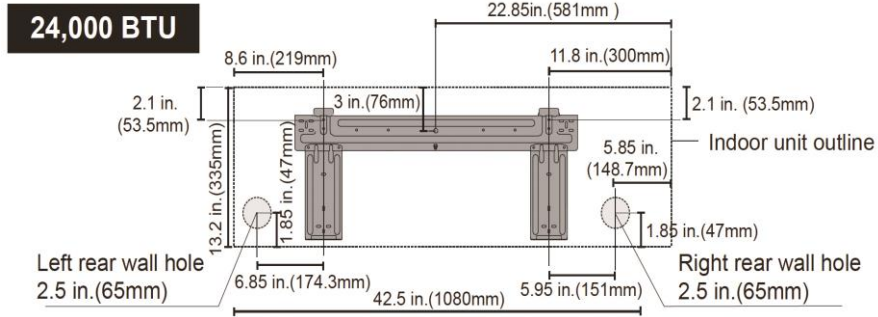


**SUBMITTAL DATA: 2PAMSH24B-16 SYSTEM**

Indoor Model Number: 2PAMSH24B-SZW-16

Outdoor Model Number: 2PAMSH24B-SZO-16

**24,000 BTU/H WALL-MOUNTED HEAT-PUMP SYSTEM**



Outdoor Unit Dimensions (W x H x D)	Mounting Dimensions	
	A	B
inches	in.	in.
27 x 17 x 10.25	18.1	10.85
27.5 x 21.25 x 9.45	18	9.85
30.7 x 21.25 x 9.85	21.6	10.85
29.9 x 23.2 x 11.2	20.85	11.4
33.25 x 27.5 x 12.6	22	13.2
31.9 x 22 x 12.2	21.6	12.8
27.9 x 21.65 x 10.63	17.7	10.24
30.3 x 21.85 x 11.81	19.2	11.73
31.5 x 21.8 x 13.1	20.24	13.39
33.25 x 27.5 x 13.38	21.26	13.8
35.4 x 33.85 x 12.4	23.2	13.1
37.2 x 31.9 x 15.55	25.2	15.95
37.21 x 31.9 x 16.53	26.5	15.87

