

SINGLE-ZONE MINI-SPLIT SUBMITTAL DATA

SUBMITTAL DATA: 2PAMSH18B-17.7 SYSTEM

18,000 BTU/H WALL-MOUNTED HEAT-PUMP SYSTEM

Job Name:	
Purchaser:	
Submitted To:	
Submitted By:	
System Designation:	
Location:	

Date:	
Reference: <input type="checkbox"/>	
Approval: <input type="checkbox"/>	
Construction: <input type="checkbox"/>	
Schedule No:	
Engineer:	
Notes:	

Indoor Model Number: 2PAMSH18B-SZW-17.7

Outdoor Model Number: 2PAMSH18B-SZO-17.7

Power Supply	Ph-V-Hz	208-230V~60Hz ,1Ph	
Cooling*	Rated Capacity	Btu/h	18000
	Input	W	1635
	Rated current	A	7.2
	EER	Btu/w	11
	SEER	Btu/w	17.7

Heating*	Rated Capacity	Btu/h	18000
	Input	W	1935
	Rated current	A	8.5
	COP	W/W	2.7
	HSPF4	BTU/w	9.8
HSPF5	BTU/w	8.2	

* Rating Conditions: (Cooling) - Indoor: 80°F (26.67°C) DB, 67°F (19.44°C) WB; Outdoor: 95°F (35.00°C) DB, 75°F (23.89°C) WB.

* Rating Conditions: (Heating) - Indoor: 70°F (21.11°C) DB, 60°F (15.56°C) WB; Outdoor: 47°F (8.33°C) DB, 43°F (6.11°C) WB.

MINIMUM CIRCUIT AMPACITY	A	15	
MAX.FUSE	A	20	
Moisture Removal	pts/h	4.2	
Compressor	Model	ASM135D23UFZ	
	Type	ROTARY	
	Brand	GMCC	
	Capacity	Btu/h	13836
	Input	W	1035
	Rated current (RLA)	A	10.5
Refrigerant Oil / Oil Charge	ml	VG74/450	
Indoor Fan Motor	Model	ZKFP-30-8-3	
	Brand	Welling	
	Input	W	30(Output)
	RLA	A	0.3
Speed (Hi/Mi/Lo)	r/min	1100/800/700	
Indoor Air Flow (Hi/Mi/Lo)	m3/h	660/450/380	
Indoor Air Flow (Hi/Mi/Lo)	CFM	388/265/224	
Indoor Noise Level (Hi/Mi/Lo)	dB(A)	45/-/29	
Indoor Unit	Dimension(W*D*H)	mm	965x215x319
	Dimension(W*D*H)	inch	37.99x8.46x12.56
	Packing (W*D*H)	mm	1045X305X405
	Packing (W*D*H)	inch	41.14x12.01x15.94
	Net/Gross weight	Kg	11.8/15.5
	Net/Gross weight	lbs.	26.0/34.2
Outdoor Fan Motor	Model	YKT-48-6-206	
	Brand	Welling	
	Input	W	48(Output)
	RLA	A	0.6
	Speed	r/min	880
Outdoor Air Flow	m3/h	2500	
Outdoor Air Flow	CFM	1470	
Outdoor Noise Level	dB(A)	57.5	
Outdoor Unit	Dimension(W*D*H)	mm	800x333x554
	Dimension(W*D*H)	inch	31.50x13.11x21.81
	Packing (W*D*H)	mm	920x390x615
	Packing (W*D*H)	inch	36.22x15.35x24.21
	Net/Gross weight	Kg	36.5/39.5
	Net/Gross weight	lbs.	80.5/87.1

Refrigerant Type	g	R410A/1500g	
Refrigerant Type	oz	R410A/52.9	
Refrigerant Precharge	ft	25	
Additional Charge For Each Lineal Foot Over 25	oz	0.161	
Design Pressure	PSIG	550/340 PSIG	
Refrigerant Piping	Liquid side / Gas side	mm(in.)	Φ6.35/Φ12.7(1/4"/1/2")
	Max. refrigerant pipe length	m	30
	Max. refrigerant pipe length	ft	98
	Max. difference in height level	m	20
Max. difference in height level	ft	66	
Connection Wiring		16AWG 4 Strand, unshielded	
Thermostat Type		Remote Control	
Operation Temperature	Indoor (cooling/heating)	°C	17~32/0~30
	Indoor (cooling/heating)	°F	62~90/32~86
	Outdoor (cooling/heating)	°C	0~50/-15~30
	Outdoor (cooling/heating)	°F	32~122/5~86
	Outdoor (cooling/heating) - Low Ambient	°C	-15~50/-15~30
Outdoor (cooling/heating) - Low Ambient	°F	5~122/5~86	
Application Area (Cooling Standard)	m ²	23.3-34.2	
Application Area (Cooling Standard)	sq.ft	251-368	



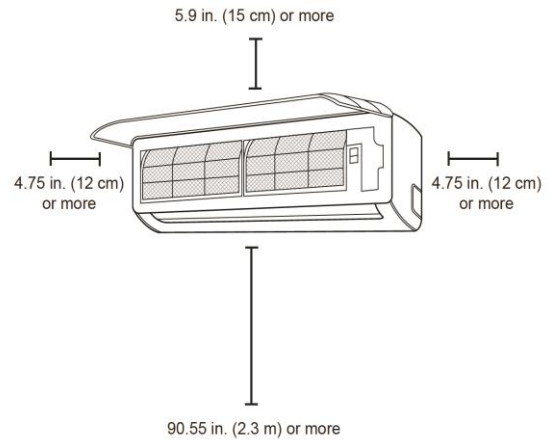
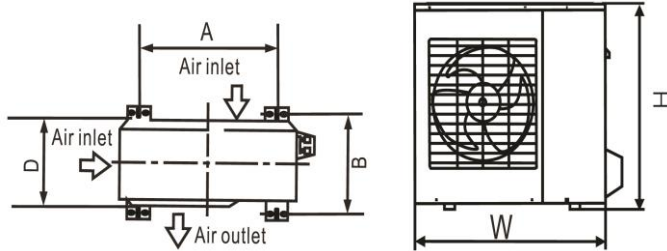
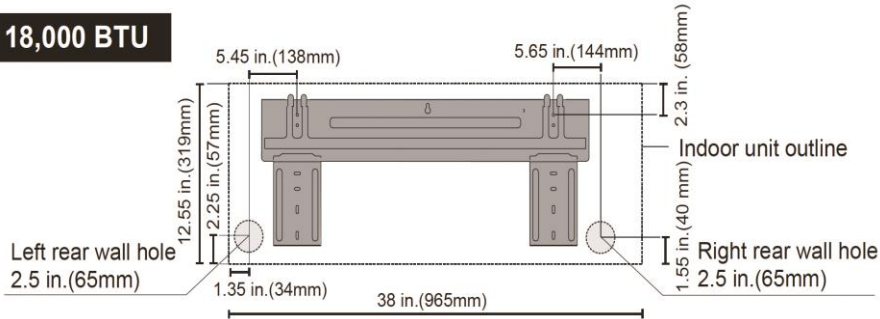
SUBMITTAL DATA: 2PAMSH18B-17.7 SYSTEM

Indoor Model Number: 2PAMSH18B-SZW-17.7

Outdoor Model Number: 2PAMSH18B-SZO-17.7

18,000 BTU/H WALL-MOUNTED HEAT-PUMP SYSTEM

18,000 BTU



Outdoor Unit Dimensions (W x H x D)	Mounting Dimensions	
	A	B
inches	in.	in.
27 x 17 x 10.25	18.1	10.85
27.5 x 21.25 x 9.45	18	9.85
30.7 x 21.25 x 9.85	21.6	10.85
29.9 x 23.2 x 11.2	20.85	11.4
33.25 x 27.5 x 12.6	22	13.2
31.9 x 22 x 12.2	21.6	12.8
27.9 x 21.65 x 10.63	17.7	10.24
30.3 x 21.85 x 11.81	19.2	11.73
31.5 x 21.8 x 13.1	20.24	13.39
33.25 x 27.5 x 13.38	21.26	13.8
35.4 x 33.85 x 12.4	23.2	13.1
37.2 x 31.9 x 15.55	25.2	15.95
37.21 x 31.9 x 16.53	26.5	15.87

