

SINGLE-ZONE MINI-SPLIT SUBMITTAL DATA

SUBMITTAL DATA: 2PAMSH09B-17 SYSTEM

9,000 BTU/H WALL-MOUNTED HEAT-PUMP SYSTEM

| | |
|---------------------|--|
| Job Name: | |
| Purchaser: | |
| Submitted To: | |
| Submitted By: | |
| System Designation: | |
| Location: | |

| | |
|--|--|
| Date: | |
| Reference: <input type="checkbox"/> | |
| Approval: <input type="checkbox"/> | |
| Construction: <input type="checkbox"/> | |
| Schedule No: | |
| Engineer: | |
| Notes: | |

Indoor Model Number: 2PAMSH09B-SZW-17

Outdoor Model Number: 2PAMSH09B-SZO-17

| Power Supply | Ph-V-Hz | 208-230V~60Hz ,1Ph | |
|--------------|----------------|--------------------|------|
| Cooling* | Rated Capacity | Btu/h | 9000 |
| | Input | W | 900 |
| | Rated current | A | 4.0 |
| | EER | Btu/w | 11.5 |
| | SEER | Btu/w | 17 |

| | | | |
|----------|----------------|-------|------|
| Heating* | Rated Capacity | Btu/h | 9800 |
| | Input | W | 900 |
| | Rated current | A | 4.0 |
| | COP | W/W | 3.2 |
| | HSPF4 | BTU/w | 9 |
| HSPF5 | BTU/w | 7.3 | |

* Rating Conditions: (Cooling) - Indoor: 80°F (26.67°C) DB, 67°F (19.44°C) WB; Outdoor: 95°F (35.00°C) DB, 75°F (23.89°C) WB.

* Rating Conditions: (Heating) - Indoor: 70°F (21.11°C) DB, 60°F (15.56°C) WB; Outdoor: 47°F (8.33°C) DB, 43°F (6.11°C) WB.

| | | | |
|-------------------------------|---------------------|--------------------|-------------------|
| MINIMUM CIRCUIT AMPACITY | A | 15 | |
| MAX.FUSE | A | 15 | |
| Moisture Removal | pts/h | 2.1 | |
| Compressor | Model | ASN98D22UFZ | |
| | Type | ROTARY | |
| | Brand | GMCC | |
| | Capacity | Btu/h | 10014 |
| | Input | W | 748 |
| | Rated current (RLA) | A | 5.5 |
| Refrigerant Oil / Oil Charge | ml | ESTER OIL VG74-370 | |
| Indoor Fan Motor | Model | ZKFP-20-8-6 | |
| | Brand | Welling | |
| | Input | W | 20(Output) |
| | RLA | A | 0.2 |
| Speed (Hi/Mi/Lo) | r/min | 1050/850/650 | |
| Indoor Air Flow (Hi/Mi/Lo) | m3/h | 420/310/210 | |
| Indoor Air Flow (Hi/Mi/Lo) | CFM | 247/182/124 | |
| Indoor Noise Level (Hi/Mi/Lo) | dB(A) | 36/-/23 | |
| Indoor Unit | Dimension(W*D*H) | mm | 722x187x290 |
| | Dimension(W*D*H) | inch | 28.43x7.36x11.42 |
| | Packing (W*D*H) | mm | 790x270x370 |
| | Packing (W*D*H) | inch | 31.10x10.63x14.57 |
| | Net/Gross weight | Kg | 7.5/9.5 |
| | Net/Gross weight | lbs. | 16.5/20.9 |
| Outdoor Fan Motor | Model | YKT-32-6-3L | |
| | Brand | Welling | |
| | Input | W | 32(Output) |
| | RLA | A | 0.4 |
| Speed | r/min | 860 | |
| Outdoor Air Flow | m3/h | 1800 | |
| Outdoor Air Flow | CFM | 1060 | |
| Outdoor Noise Level | dB(A) | 57 | |
| Outdoor Unit | Dimension(W*D*H) | mm | 770x300x555 |
| | Dimension(W*D*H) | inch | 30.31x11.81x21.85 |
| | Packing (W*D*H) | mm | 900x345x585 |
| | Packing (W*D*H) | inch | 35.43x13.58x23.03 |
| | Net/Gross weight | Kg | 29/31.5 |
| | Net/Gross weight | lbs. | 63.9/69.4 |

| | | | |
|--|---|------------------------------|------------------------|
| Refrigerant Type | g | R410A/799g | |
| Refrigerant Type | oz | R410A/28.2 | |
| Refrigerant Precharge | ft | 25 | |
| Additional Charge For Each Lineal Foot Over 25 f | oz | 0.161 | |
| Design Pressure | PSIG | 550/340 PSIG | |
| Refrigerant Piping | Liquid side / Gas side | mm(in.) | Φ6.35/Φ9.52(1/4"/3/8") |
| | Max. refrigerant pipe length | m | 25 |
| | Max. refrigerant pipe length | ft | 82 |
| | Max. difference in height level | m | 10 |
| Max. difference in height level | ft | 33 | |
| Connection Wiring | | 16AWG 4 Stranded, unshielded | |
| Thermostat Type | | Remote Control | |
| Operation Temperature | Indoor (cooling/heating) | °C | 17~32/0~30 |
| | Indoor (cooling/heating) | °F | 62~90/32~86 |
| | Outdoor (cooling/heating) | °C | 0~50/-15~30 |
| | Outdoor (cooling/heating) | °F | 32~122/5~86 |
| | Outdoor (cooling/heating) - Low Ambient | °C | -15~50/-15~30 |
| | Outdoor (cooling/heating) - Low Ambient | °F | 5~122/5~86 |
| Application Area (Cooling Standard) | m ² | 12-17.6 | |
| Application Area (Cooling Standard) | sq.ft | 129-189 | |



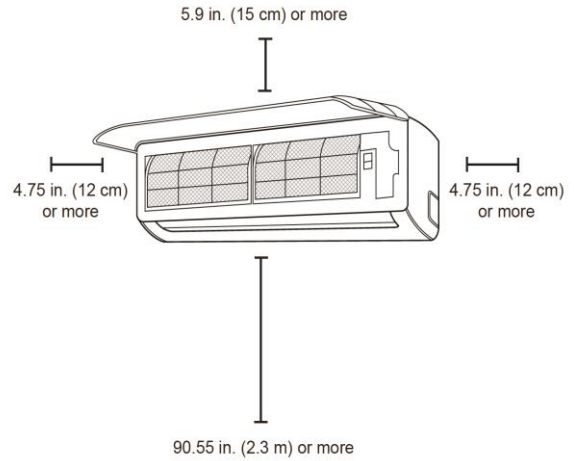
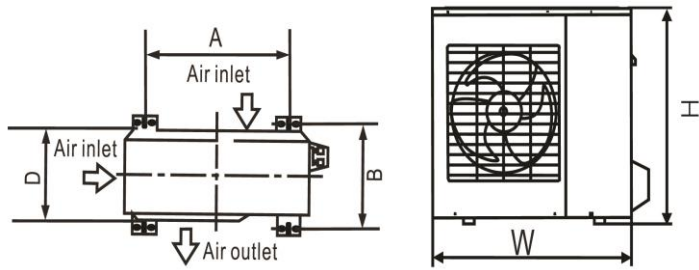
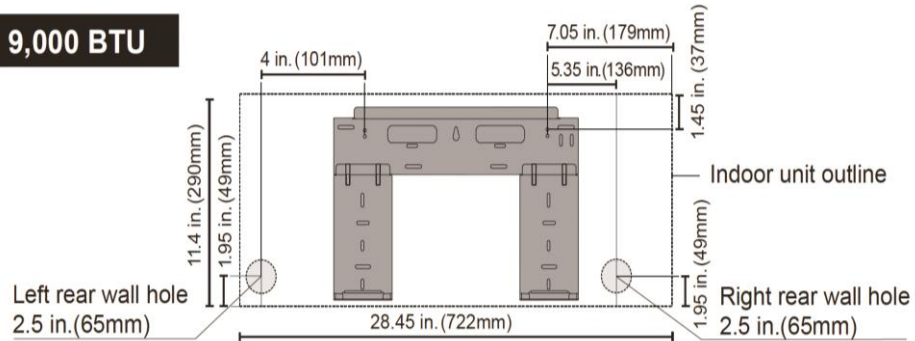
SUBMITTAL DATA: 2PAMSH09B-17 SYSTEM

Indoor Model Number: 2PAMSH09B-SZW-17

Outdoor Model Number: 2PAMSH09B-SZO-17

9,000 BTU/H WALL-MOUNTED HEAT-PUMP SYSTEM

9,000 BTU



| Outdoor Unit Dimensions (W x H x D) | Mounting Dimensions | |
|-------------------------------------|---------------------|-------|
| | A | B |
| inches | in. | in. |
| 27 x 17 x 10.25 | 18.1 | 10.85 |
| 27.5 x 21.25 x 9.45 | 18 | 9.85 |
| 30.7 x 21.25 x 9.85 | 21.6 | 10.85 |
| 29.9 x 23.2 x 11.2 | 20.85 | 11.4 |
| 33.25 x 27.5 x 12.6 | 22 | 13.2 |
| 31.9 x 22 x 12.2 | 21.6 | 12.8 |
| 27.9 x 21.65 x 10.63 | 17.7 | 10.24 |
| 30.3 x 21.85 x 11.81 | 19.2 | 11.73 |
| 31.5 x 21.8 x 13.1 | 20.24 | 13.39 |
| 33.25 x 27.5 x 13.38 | 21.26 | 13.8 |
| 35.4 x 33.85 x 12.4 | 23.2 | 13.1 |
| 37.2 x 31.9 x 15.55 | 25.2 | 15.95 |
| 37.21 x 31.9 x 16.53 | 26.5 | 15.87 |

